

SOPORTES



ASESORAMIENTO
PERSONALIZADO

INGENIERÍA
Y PROYECTOS

SOLUCIONES
LLAVE EN MANO

EQUIPAMIENTO
INTEGRAL

ATENCIÓN
AL CLIENTE



Empresa Homologada por la
Dirección General del Patrimonio del Estado

mobiliar@mobiliar.es
www.mobiliar.es
902 365 064

The intelligent use
of space.



Flexibility for workstations.

CONTENT

EXPERTISE

04-15

REFERENCES

16-33

NOVUS PRODUCTS

34-115

MORE SPACE SETS

36-41

FLAT-SCREEN HOLDERS

N MY | N Tetra-Suport-System
N LiftTEC® | N ScreenMount | Accessory

42-91

LIGHTS

92-95

OFFICE ORGANISATION

universal support arms | tray sets | trays and shelves
display pocket holders | mounting options

96-113

INTELLIGENT PRODUCT FEATURES

114-115

Clever solutions, combined in
any way you like for more
space and flexibility.

Efficiency and convenience at any workstation: since the company was founded in 1949, the N brand has been synonymous with innovative and technically advanced office products developed in the spirit of “German Engineering”.

N is part of the emco Group, four strong brands united in one group. The expertise and products segments covered within the group generate effects of synergy that not only benefit the brands involved – but above all emco Group's customers and partners.

As a holding positioned on the international stage, the emco Group is consciously and resolutely committed to high standards in quality, safety and environmental protection. This also includes a clearly defined ecology concept based on the EN ISO 14001 environment management system in place world-wide. At the company's own production facilities, state-of-the-art equipment and efficient processes ensure optimum production conditions.

Products developed in-house at N are synonymous with solutions of exceptionally high quality, functionality and long life. Quality management holding certification under DIN EN ISO 9001 confirms that practice at N meets the level of international quality standards.



Perfection and innovation
in every single detail.

ERGONOMICS

for a healthy posture.



Responding with flexibility to individual needs.

For N, the focus is on the human element – and for good reason. This is the only way of creating workspaces that are perfectly tailored to the needs of every individual.



THE INTELLIGENT USE OF SPACE

MORE SPACE

by using space efficiently.



The flexibility to organise any workplace with perfection.

The systematic layout of different elements, such as monitor, light and telephone, as well as adding useful accessories brings order and neat organisation to the office. Using the third level provides space for working even more productively – wherever needed.



FLEXIBILITY

by options combined in any chosen way.

Leaving room for changes.

The system-based philosophy behind the N more space system provides space for all sorts of organisational options. Because with the various products being so easy to combine, the system can be extended to meet any need even after years down the line.



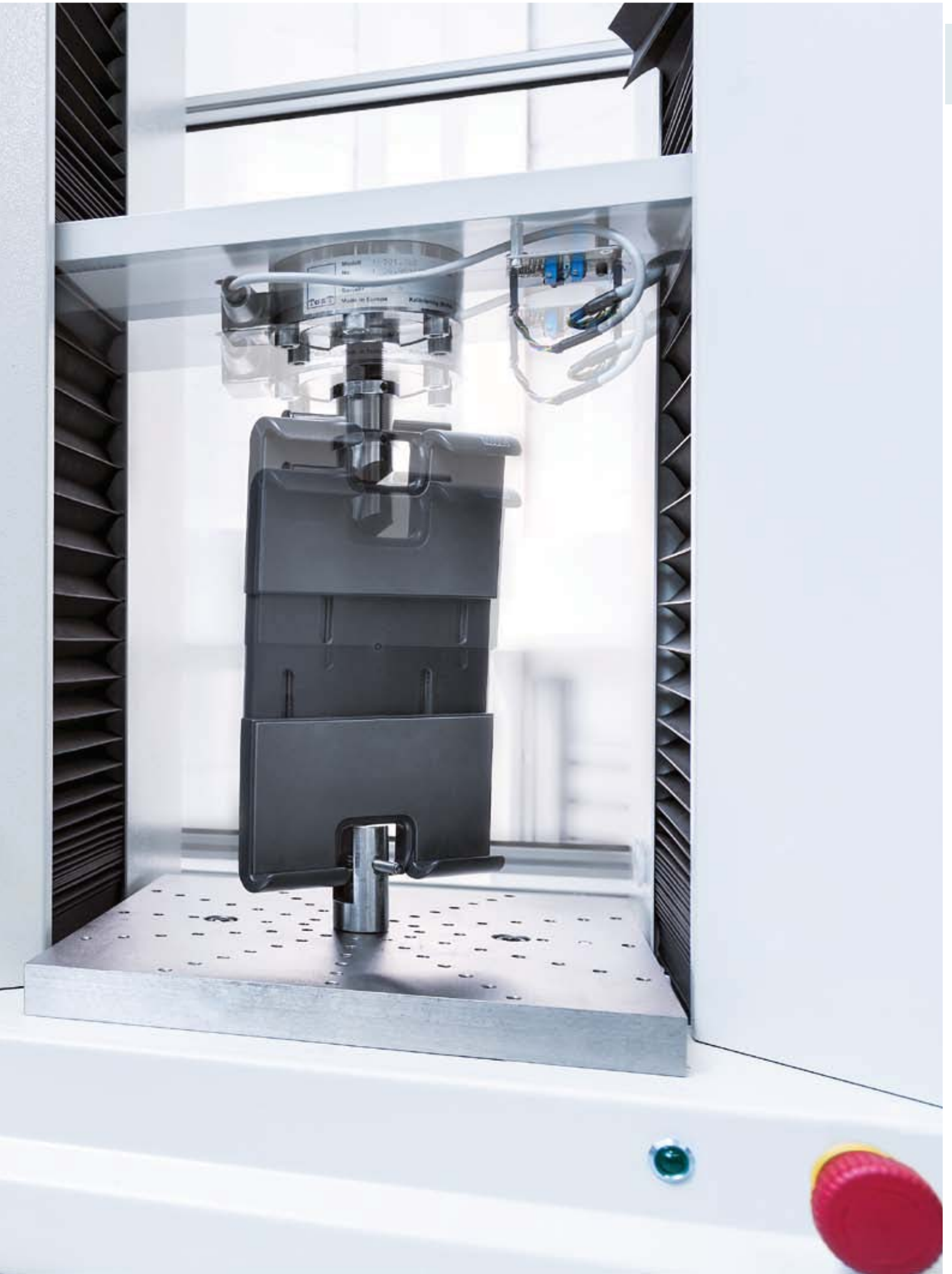


SAFE and SECURE

thanks to reliable quality.

Making decisions with a clear conscience.

Long-lasting products of perfect quality provide an unbeatable platform for coping with the challenges of everyday work routine.



Focus on user success.

N has a commitment to German Engineering across the board. This quality hallmark only goes to products that are developed by our engineers and manufactured world-wide at our own production facilities. This allows us to meet customer needs and the latest market demands with speed and flexibility.



German
Engineering
by N



INDIVIDUAL SOLUTIONS

for different demands.



Convincing references
at every workstation.

"Only when functionality
and appearance are perfectly
matched workstation design
is truly up to date."

Stefan Kleinhenz, qualified office consultant
Campus 4 GmbH



administration consulting
home office training
healthcare university office
ship radio television
control room industry
mobility broadcast bank
hotel production control centre
airport reception stadium
caravan

From desk to efficient workstation.

Nowadays, a modern workstation is used in many different ways. This means the various components involved, like monitor arm, telephone support etc., must also provide the required level of flexibility.

The N more space system impressively demonstrates how existing workspace can be efficiently organised and tailored to suit individual needs.



Call centre



Single-screen workstation

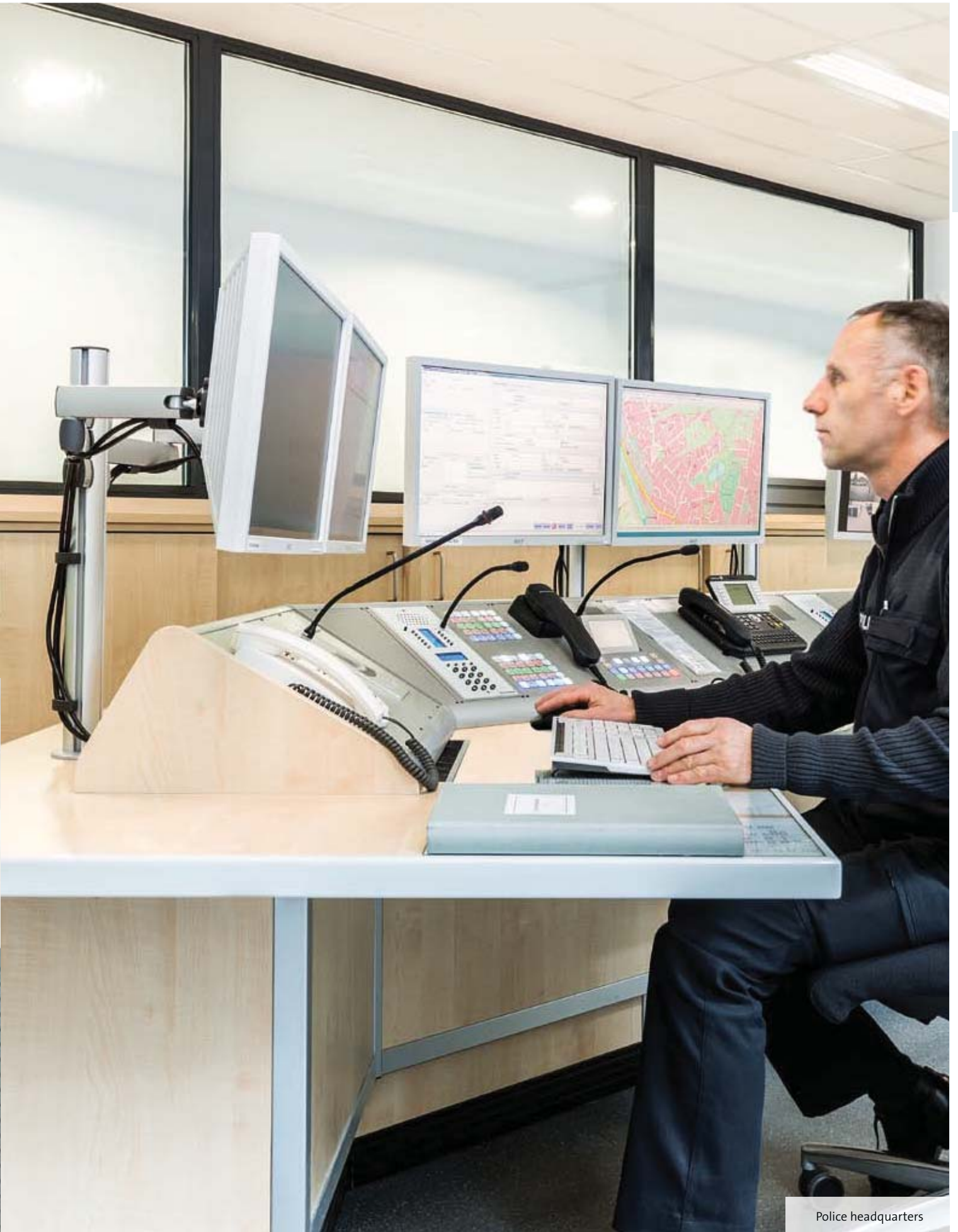
Everything in view thanks to perfect organisation.

Specific tasks demand professional workstations: this is why working in front of several monitors at one and the same time is all part of standard practice in control rooms and control centres. All the more important to make intelligent use of existing space.

The N more space system provides the capability of combining several monitors so as to present the full picture.



Control room



Police headquarters



Perfectly organised – whether alone or in dialogue.

At workstations involving contact with customers, tidiness and a well-structured layout help to create a pleasant and productive atmosphere.

Having all supporting information clearly in view makes conversation more confident in a targeted manner.



Better use of space all round.

Cost-efficient space organisation and communicative workplaces are not mutually exclusive. Designed and planned properly as well as tailored to existing space, there's an ideal solution to suit any situation – with one system that is equally suited to all members of staff and yet provides maximum flexibility in terms of configuration.



Bench solution



Open-plan office

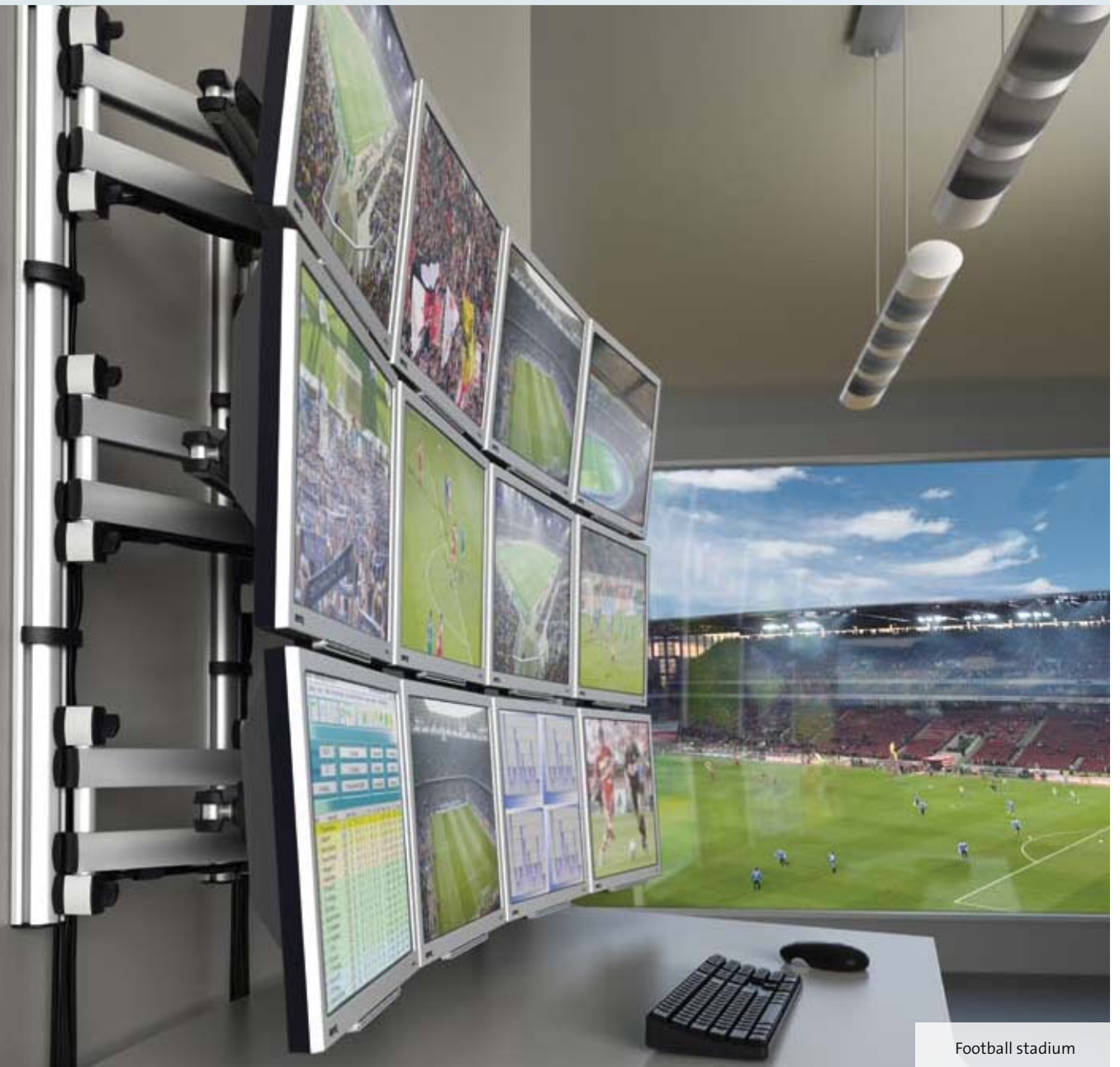


Television studio

Stay cool all the time.

A live show or broadcast is a particular challenge to any television producer. When stress affects the posture, problems may occur.

The N more space system ensures ergonomic posture – at 5 in the morning just as it does at midnight.



Football stadium

A firm hold for systematic production.

Even under high workload, responsible staff has to stay on top of things all the time.

The N more space system provides clear structures for efficient workflows – helping to ensure cost-effective and efficient processes long-term.



Controlling machinery



Assembly station

Reliably attached – also on the road.

Anyone travelling a lot needs to be sure that everything stays securely fastened.

The N more space system provides an ideal and attractively designed combination of secure attachment and user convenience.

Everything stays where it belongs, from television to tablet.







Everything in its place.

Particularly in healthcare, every movement and turn need to be spot on. Whether in the laboratory or doctor's surgery, reliable equipment and clearly presented patient information make sure everything runs smoothly in medical practice.

The N more space system helps to make sure everything is where it should be, always to hand.



Intelligent product range
for individual solutions.



Clever **solutions** for any need.

individual, all-inclusive and uncompromising packages
for more space and flexibility.



**Intelligent combinations for
versatile workstation design.**



MORE SPACE SETS

Every one of the N more space sets provides an all-inclusive solution for flexible and ergonomic workplace organisation.



Colours



Art.No.

220+0220+000

EAN Code

4009729054093

N Ofce Toolbar

The talented organiser for the desktop with flatscreen support and accessories

Height of the column: 250 mm

Size SlatWall over the desk: 1600 x 250 mm

Mounting standard 75/100 mm

Column fixation with system clamp 1, clamping length 14-40 mm

Carrying capacity: monitor weight 3-8 kg, gas spring system for adjustable height

Range: LiftTEC-Arm I 400 mm



Colours



Art.No.

220+0070+000

EAN Code

4009729046630

N Business Combination

Optimal set for your notebook workstation

Height of the column: 445 mm

Mounting standard 75/100 mm

Column attachment: system clamp 1, clamping length 14-40 mm

Carrying capacity: monitor weight 7 kg / notebook weight 5 kg, infinitely variable height

Range: TSS folding arm III 505 mm / TSS notebook holder 589 mm





N TSS Wall Station

Special applications demand special solutions - the N Tetra-Support-System for wall mounting

Length of the column: 890 mm

Mounting standard 75/100 mm

Carrying capacity: monitor weight 15 kg, infinitely variable height

Range: TSS support carriage 105 mm / TSS keyboard holder 528 mm

Colours



Art.No.

220+0100+000

EAN Code

4009729046661



N TSS Basic & Light

The space-saving combination of flatscreen support and lighting

Height of the column: 445 mm

Mounting standard 75/100 mm

Column attachment: system clamp 1, clamping length 14-40 mm

Carrying capacity: monitor weight 10 kg, infinitely variable height

Range: TSS folding arm II 450 mm / OfficeLight PRO II 980 mm

Light: electric ballast, 18 Watt TC-L

Colours



Art.No.

220+0090+000

EAN Code

4009729046654



N Business & Light

All-round package for desk organisation, lighting and flat screen

Height of the column: 445 mm

Size SlatWall over the desk: 1000 x 445 mm

Mounting standard 75/100 mm

Column attachment: system clamp 1, clamping length 14-40 mm

Carrying capacity: monitor weight 12 kg, infinitely variable height

Range: TSS folding arm III 505 mm / OfficeLight PRO II 980 mm

Light: electric ballast, 18 Watt TC-L

Colours



Art.No.

220+0170+000

EAN Code

4009729046739





Colours



Art.No.

220+0160+000

EAN Code

4009729046722

N Ofce Max

Perfect solution – the N SlatWall as organization wall for modern workstations

Height of the column: 445 mm

Size SlatWall over the desk: 1000 x 445 mm

Mounting standard 75/100 mm

SlatWall attachment: system clamp 1, clamping length 14-40 mm

Carrying capacity: monitor weight 3-8 kg, gas spring system for adjustable height

Range: LiftTEC-arm I 400 mm



Colours



Art.No.

220+0030+000

EAN Code

4009729046593

N Ofce Professional

"All-rounder" for two-screen workstations

Height of the column: 445 mm

Size SlatWall over the desk: 1000 x 445 mm

Mounting standard 75/100 mm

Column attachment: system clamp 1, clamping length 14-40 mm

Total carrying capacity: 16 kg, evenly spread over all support arms

Range: TSS folding arm III 505 mm / OfficeLight PRO II 980 mm

Light: electric ballast, 18 Watt TC-L



Colours



Art.No.

220+0120+000

EAN Code

4009729046685

N Ofce Wall

Functional wall solution for flat screen and paper management

Height of the column: 445 mm

SlatWall size: 1000 x 445 mm

Mounting standard 75/100 mm

Carrying capacity: monitor weight 10 kg, infinitely variable height

Range: TSS folding arm II 450 mm





Colours



Art.No.

220+0020+000

EAN Code

4009729046586

N Ofce Plus

Elegant combination of monitor support, board and optimal work light

Height of the column: 445 mm

BoardMaster length: 1000 mm, compartment depth 195 mm

Mounting standard 75/100 mm

Column attachment: system clamp 1, clamping length 14-40 mm

BoardMaster attachment: universal clamp 1, clamping length 18-74 mm

Carrying capacity: monitor weight 10 kg, infinitely variable height

Range: TSS folding arm II 450 mm / OfficeLight PRO II 980 mm

Light: electric ballast, 18 Watt TC-L



Colours



Art.No.

220+0140+000

EAN Code

4009729046708

N Business Board

Systematic organization – the classics for storage and telephone

BoardMaster length: 1000 mm, compartment depth 195 mm

BoardMaster attachment: universal clamp 1, clamping length 18-74 mm

Carrying capacity TalkMaster: telephone weight 2 kg

Range: TalkMaster 700 mm



Colours



Art.No.

220+0040+000

EAN Code

4009729046609

N Business Rail

Organisation talent for your workstation

Railing length: 1000 mm

Railing attachment: universal clamp 1, clamping length 18-74 mm

Carrying capacity TalkMaster: telephone weight 2 kg

Range: TalkMaster 700 mm



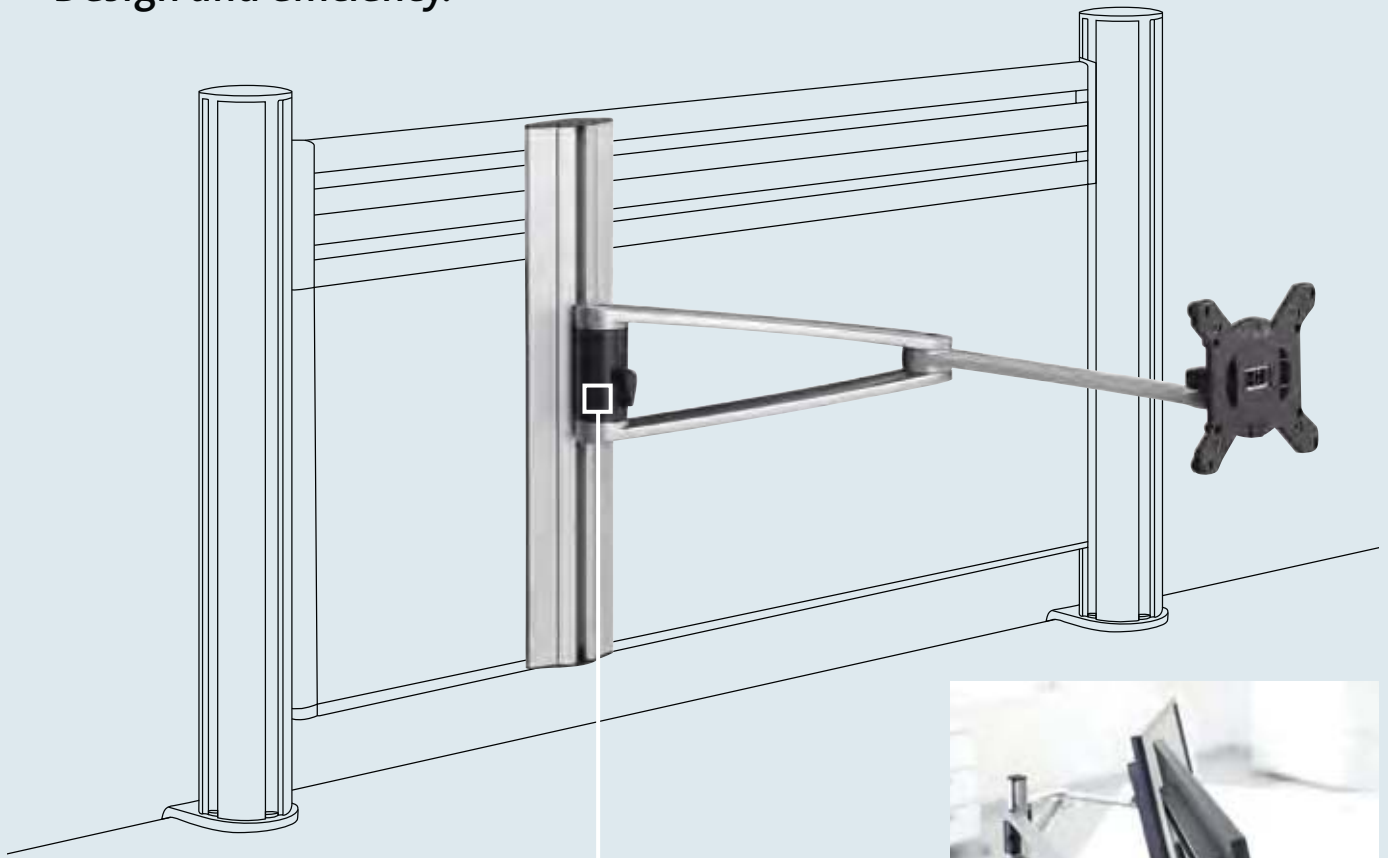
Cleverly combined
in any situation.



Perfect hold simply everywhere for modern flat screens, laptops and tablet PCs – ergonomically designed to individual needs.



Design and efficiency.



Infinitely height-adjustable folding arm to position a monitor as individually requested.



Two monitors in perfect view as well.

Practical holder for tablet PCs with screen sizes from 7 to 10 inches.



More space for modern LED screens and tablets by using the N MY. The new stylish line of screen supports an appropriate solution for almost every workspace situation.



N MY point

Mobile tablet holder as the practical and modern basis for presentation and communication

Universal stand for Tablets PC's with a size from 7" to 10" (clamping length 160-300 mm)

Tablets can be used portrait or landscape format

Anodised aluminium column with solid metal base

Rotation and tilt is given by the cross joint for more mobility at limited space

Infinitely height adjustable

Height of the column: 250 mm

Includes two cable clips

Colours



Art.No.

910+3099+000

EAN Code

4009729053874



910+3091+000

4009729053881



N MY one C, with system clamp

Elegant monitor holder with infinitely height adjustable support carriage

Combination of MY base and MY fix – simple, efficient and elegant

Table mounting with system clamp 1 for a table thickness of 14-40 mm

Mounting standard 75/100 mm

Mounting of flat screens up to 6 kg

Rotation and tilt is given by the cross joint for more mobility at limited space

Range: 50 mm

Height of the column: 350 mm

Includes two cable clips

Combinable with N MY tab and N Quick Release

Colours



Art.No.

910+1019+000

EAN Code

4009729052099



910+1011+000

4009729053959





N MY one D, with drilling screw fitting

Elegant monitor holder with infinitely height adjustable support carriage
 Combination of MY base and MY fix – simple, efficient and elegant
 Table mount with drilling screw fitting for a table thickness of 5-70 mm
 Mounting standard 75/100 mm
 Mounting of flat screens up to 6 kg
 Rotation and tilt is given by the cross joint for more mobility at limited space
 Range: 50 mm
 Height of the column: 350 mm
 Includes two cable clips
 Combinable with N MY tab and N Quick Release

Colours



Art.No.
910+1049+000

EAN Code
4009729052105



Art.No.
910+1041+000

EAN Code
4009729053966



N MY one G, with cable port attachment

Elegant monitor holder with infinitely height adjustable support carriage
 Combination of MY base and MY fix – simple, efficient and elegant
 Table mount with drilling screw fitting for a table thickness of 5-70 mm
 Mounting standard 75/100 mm
 Mounting of flat screens up to 6 kg
 Rotation and tilt is given by the cross joint for more mobility at limited space
 Range: 50 mm
 Height of the column: 350 mm
 Includes two cable clips
 Combinable with N MY tab and N Quick Release

Colours



Art.No.
910+1059+000

EAN Code
4009729052112



Art.No.
910+1051+000

EAN Code
4009729053973





N MY one S, with system rail mount

Elegant monitor holder with infinitely height adjustable support carriage
Combination of MY base and MY fix – simple, efficient and elegant
System rail mount for use in various system rails from the office furniture industry

Mounting standard 75/100 mm

Mounting of flat screens up to 6 kg

Rotation and tilt is given by the cross joint for more mobility at limited space

Range: 50 mm

Height of the column: 350 mm

Includes two cable clips

Combinable with N MY tab and N Quick Release



Colours



Art.No.

910+1069+000

EAN Code

4009729052129



910+1061+000

4009729053980



N MY one SW, with organisation wall mount

Elegant monitor holder with infinitely height adjustable support carriage
Combination of MY base and MY fix – simple, efficient and elegant
Adaption to the organisation wall via slot nuts

Mounting standard 75/100 mm

Mounting of flat screens up to 6 kg

Rotation and tilt is given by the cross joint for more mobility at limited space

Range: 50 mm

Height of the column: 350 mm

Combinable with N MY tab and N Quick Release



Colours



Art.No.

910+1079+000

EAN Code

4009729053454



910+1071+000

4009729053997



N MY one W, with wall mount

Elegant monitor holder with infinitely height adjustable support carriage
 Combination of MY base and MY fix – simple, efficient and elegant
 Wall mounting with screws
 Mounting standard 75/100 mm
 Mounting of flat screens up to 6 kg
 Rotation and tilt is given by the cross joint for more mobility at limited space
 Range: 50 mm
 Height of the column: 350 mm
 Combinable with N MY tab and N Quick Release

Colours



Art.No.
910+1089+000

EAN Code
4009729053461



Art.No.
910+1081+000

EAN Code
4009729053000



N MY one plus C, with system clamp

Elegant monitor holder with infinitely height adjustable folding arm
 Combination of MY base and MY arm – for more design, flexibility and dynamics at the workplace
 Table mounting with system clamp 1 for a table thickness of 14-40 mm
 Mounting standard 75/100 mm
 Mounting of flat screens up to 6 kg
 Range: 415 mm
 Monitor arm infinitely adjustable in height, tilt and rotation
 Height of the column: 350 mm
 Supplied with cable clips
 Combinable with N MY tab and N Quick Release

Colours



Art.No.
910+2019+000

EAN Code
4009729052051



Art.No.
910+2011+000

EAN Code
4009729053898





N MY one plus D, with drilling screw fitting Elegant

monitor holder with infinitely height adjustable folding arm

Combination of MY base and MY arm – for more design, flexibility and dynamics at the workplace

Table mount with drilling screw fitting for a table thickness of 5-70 mm

Mounting standard 75/100 mm

Mounting of flat screens up to 6 kg

Range: 415 mm

Monitor arm infinitely adjustable in height, tilt and rotation

Height of the column: 350 mm

Supplied with cable clips

Combinable with N MY tab and N Quick Release



Colours



Art.No.

910+2049+000

EAN Code

4009729052068



910+2041+000

4009729053904



N MY one plus G, with cable port attachment Elegant

monitor holder with infinitely height adjustable folding arm

Combination of MY base and MY arm – for more design, flexibility and dynamics at the workplace

Table mount with cable port attachment for a table thickness of 5-70 mm

Mounting standard 75/100 mm

Mounting of flat screens up to 6 kg

Range: 415 mm

Monitor arm infinitely adjustable in height, tilt and rotation

Height of the column: 350 mm

Supplied with cable clips

Combinable with N MY tab and N Quick Release



Colours



Art.No.

910+2059+000

EAN Code

4009729052075



910+2051+000

4009729053911



N MY one plus S, with system rail mount

Elegant monitor holder with infinitely height adjustable folding arm
 Combination of MY base and MY arm – for more design, flexibility and dynamics at the workplace
 System rail mount for use in various system rails from the office furniture industry
 Mounting standard 75/100 mm
 Mounting of flat screens up to 6 kg
 Range: 415 mm
 Monitor arm infinitely adjustable in height, tilt and rotation
 Height of the column: 350 mm
 Supplied with cable clips
 Combinable with N MY tab and N Quick Release

Colours



Art.No. 910+2069+000 **EAN Code** 4009729052082

910+2061+000 4009729053928



N MY one plus SW, with organisation wall mount

Elegant monitor holder with infinitely height adjustable folding arm
 Combination of MY base and MY arm – for more design, flexibility and dynamics at the workplace
 Adaption to the organisation wall via slot nuts
 Mounting standard 75/100 mm
 Mounting of flat screens up to 6 kg
 Range: 415 mm
 Monitor arm infinitely adjustable in height, tilt and rotation
 Height of the column: 350 mm
 Supplied with cable clips
 Combinable with N MY tab and N Quick Release

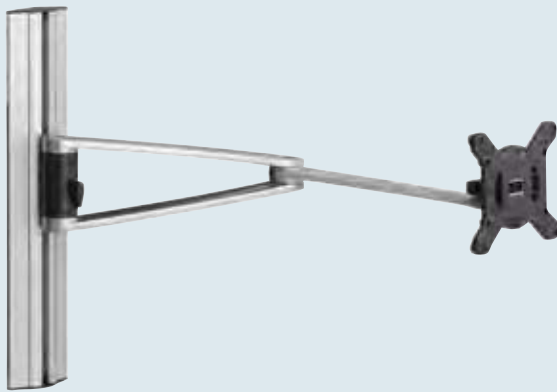
Colours



Art.No. 910+2079+000 **EAN Code** 4009729053478

910+2071+000 4009729053935





N MY one plus W, with wall mount

Elegant monitor holder with infinitely height adjustable folding arm
 Combination of MY base and MY arm – for more design, flexibility and dynamics at the workplace
 Wall mounting with screws
 Mounting standard 75/100 mm
 Mounting of flat screens up to 6 kg
 Range: 415 mm
 Monitor arm infinitely adjustable in height, tilt and rotation
 Height of the column: 350 mm
 Combinable with N MY tab and N Quick Release

Colours



Art.No.
910+2089+000

EAN Code
4009729053485



Art.No.
910+2081+000

EAN Code
4009729053942



N MY twin fx C, with system clamp

Elegant monitor holder with two support carriages infinitely adjustable in height
 Combination of MY base and MY fix – functional and well designed for the attachment of two opposite monitors
 Table mounting with system clamp 1 for a table thickness of 14-40 mm
 Mounting standard 75/100 mm
 Mounting of two flat screens up to 6 kg
 Rotation and tilt is given by the cross joint for more mobility at limited space
 Range: 50 mm
 Height of the column: 350 mm
 Supplied with cable clips
 Combinable with N MY tab and N Quick Release

Colours



Art.No.
910+1119+000

EAN Code
4009729052174



N MY twin fx D, with drilling screw fitting

Elegant monitor holder with two support carriages infinitely adjustable in height
 Combination of MY base and MY fix – functional and well designed for the attachment of two opposite monitors
 Table mount with drilling screw fitting for a table thickness of 5-70mm
 Mounting standard 75/100 mm
 Mounting of two flat screens up to 6 kg
 Rotation and tilt is given by the cross joint for more mobility at limited space
 Range: 50 mm
 Height of the column: 350 mm
 Supplied with cable clips
 Combinable with N MY tab and N Quick Release

Colours



Art.No.
910+1149+000

EAN Code
4009729052181





N MY twin fx G, with cable port attachment Elegant monitor

holder with two support carriages infinitely adjustable in height
 Combination of MY base and MY fix – functional and well designed for the attachment of two opposite monitors
 Table mount with cable port attachment for a table thickness of 5-70 mm
 Mounting standard 75/100 mm
 Mounting of two flat screens up to 6 kg
 Rotation and tilt is given by the cross joint for more mobility at limited space
 Range: 50 mm
 Height of the column: 350 mm
 Supplied with cable clips
 Combinable with N MY tab and N Quick Release

Colours



Art.No.

910+1159+000

EAN Code

4009729052198



N MY twin fx S, with system rail mount

Elegant monitor holder with two support carriages infinitely adjustable in height
 Combination of MY base and MY fix – functional and well designed for the attachment of two opposite monitors
 System rail mount for use in various system rails from the office furniture industry
 Mounting standard 75/100 mm
 Mounting of two flat screens up to 6 kg
 Rotation and tilt is given by the cross joint for more mobility at limited space
 Range: 50 mm
 Height of the column: 350 mm
 Supplied with cable clips
 Combinable with N MY tab and N Quick Release

Colours



Art.No.

910+1169+000

EAN Code

4009729052204



N MY twin arm C, with system clamp

Elegant monitor holder with two infinitely height adjustable folding arms
 Combination of MY base and two MY arm – attractive appearance with maximum flexibility in the positioning of two monitors
 Table mounting with system clamp 1 for a table thickness of 14-40 mm
 Mounting standard 75/100 mm
 Mounting of two flat screens up to 5 kg
 Range: 415 mm
 Monitor arm infinitely adjustable in height, tilt and rotation
 Height of the column: 350 mm
 Supplied with cable clips
 Combinable with N MY tab and N Quick Release

Colours



Art.No.

910+2219+000

EAN Code

4009729052136





N MY twin arm D, with drilling screw fitting Elegant monitor holder with two infinitely height adjustable folding arms
 Combination of MY base and two MY arm – attractive appearance with maximum flexibility in the positioning of two monitors
 Table mount with drilling screw fitting for a table thickness of 5-70 mm
 Mounting standard 75/100 mm
 Mounting of two flat screens up to 5 kg
 Range: 415 mm
 Monitor arm infinitely adjustable in height, tilt and rotation
 Height of the column: 350 mm
 Supplied with cable clips
 Combinable with N MY tab and N Quick Release

Colours



Art.No.

910+2249+000

EAN Code

4009729052143



N MY twin arm G, with cable port attachment Elegant monitor holder with two infinitely height adjustable folding arms
 Combination of MY base and two MY arm – attractive appearance with maximum flexibility in the positioning of two monitors
 Table mount with cable port attachment for a table thickness of 5-70 mm
 Mounting standard 75/100 mm
 Mounting of two flat screens up to 5 kg
 Range: 415 mm
 Monitor arm infinitely adjustable in height, tilt and rotation
 Height of the column: 350 mm
 Supplied with cable clips
 Combinable with N MY tab and N Quick Release

Colours



Art.No.

910+2259+000

EAN Code

4009729052150



N MY twin arm S, with system rail mount Elegant monitor holder with two infinitely height adjustable folding arms
 Combination of MY base and two MY arm – attractive appearance with maximum flexibility in the positioning of two monitors
 System rail mount for use in various system rails from the office furniture industry
 Mounting standard 75/100 mm
 Mounting of two flat screens up to 5 kg
 Range: 415 mm
 Monitor arm infinitely adjustable in height, tilt and rotation
 Height of the column: 350 mm
 Supplied with cable clips
 Combinable with N MY tab and N Quick Release

Colours



Art.No.

910+2269+000

EAN Code

4009729052167





N MY base W, with wall rail Wall

mounting with screws
 Flat distance to the wall of about 20 mm
 Available in lengths: 350 mm, 445 mm and 890 mm
 Covered screw holes
 Customised lengths on request

Colours



Art.No.	EAN Code
911+0089+000	4009729052952
911+0189+000	4009729053355
911+0289+000	4009729053362



N MY base SW, with organisation wall mount

Aluminium profile for mounting on an organisation wall
 Adaption to the organisation wall via slot nuts
 Flat distance to the wall of about 20 mm
 Height of the column: 350 mm
 Covered screw holes
 Fastening material included

Colours



Art.No.	EAN Code
911+0079+000	4009729052945



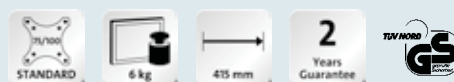
N MY arm

Infinitely height adjustable 2-part articulated arm with standard VESA 75/100
 Mounting of flat screens up to 6 kg
 Swivelling and tiltable
 Range: 415 mm
 Balance mechanism at the front joint for optimum monitor positioning
 Enables horizontal positioning of the screen
 Includes two cable clips
 MY base as a mandatory extension

Colours



Art.No.	EAN Code
911+2001+000	4009729053768
911+2009+000	4009729052037





N MY fx

Infinitely height adjustable support carriage with VESA standard 75/100
 Mounting of flat screens up to 6 kg
 Rotation and tilt is given by the cross joint for more mobility at limited space
 Range: 50 mm
 Balance mechanism at the front joint for optimum monitor positioning
 MY base as a mandatory extension

Colours



Art.No.	EAN Code
911+1001+000	4009729053751
911+1009+000	4009729052013



N MY notebookarm

High quality notebook holder with 2-part aluminium arm, infinitely adjustable
 Support platform (400 x 288 mm) for regular and large notebooks
 Carrying capacity 5 kg
 Turn- and tiltable up to 45°
 Grommet in the support plate
 MY base as a mandatory extension



Colours



Art.No.	EAN Code
911+4009+000	4009729055359



N MY tab

Unique tablet holder that makes it very easy to insert and remove a variety of tablets
 Tablet mount for tablets with a size of 7" to 10" (clamping length 160-300 mm)
 Tablets can be used portrait or landscape format
 For attachment to N MY fix, N MY arm and N TSS support elements

Colours



Art.No.	EAN Code
911+3001+000	4009729053775
911+3005+000	4009729052525





N QuickRelease

Quick release system for N monitor arms Enables quick and easy monitor change without tools

Colours



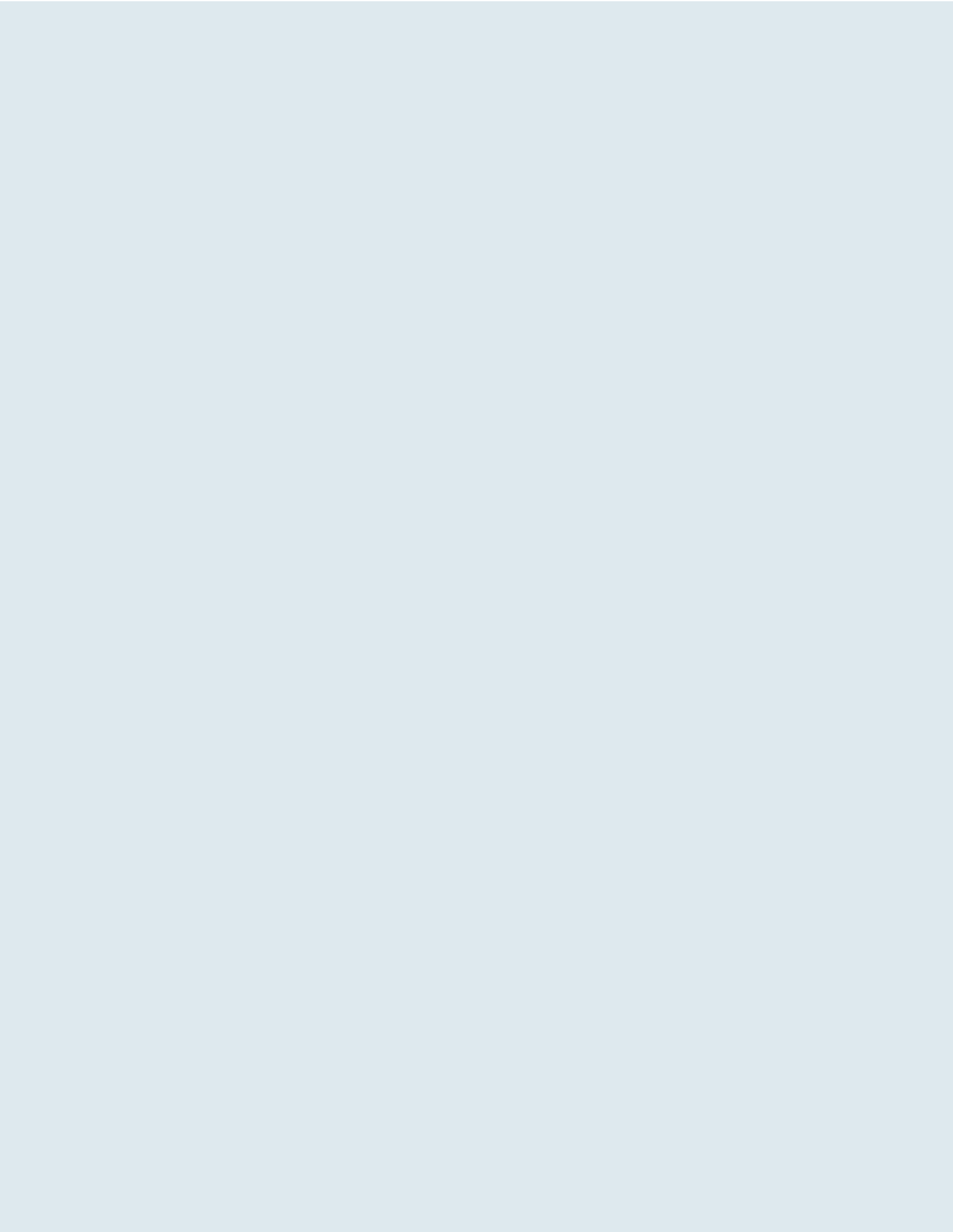
Art.No.

795+9095+000

EAN Code

4009729052860

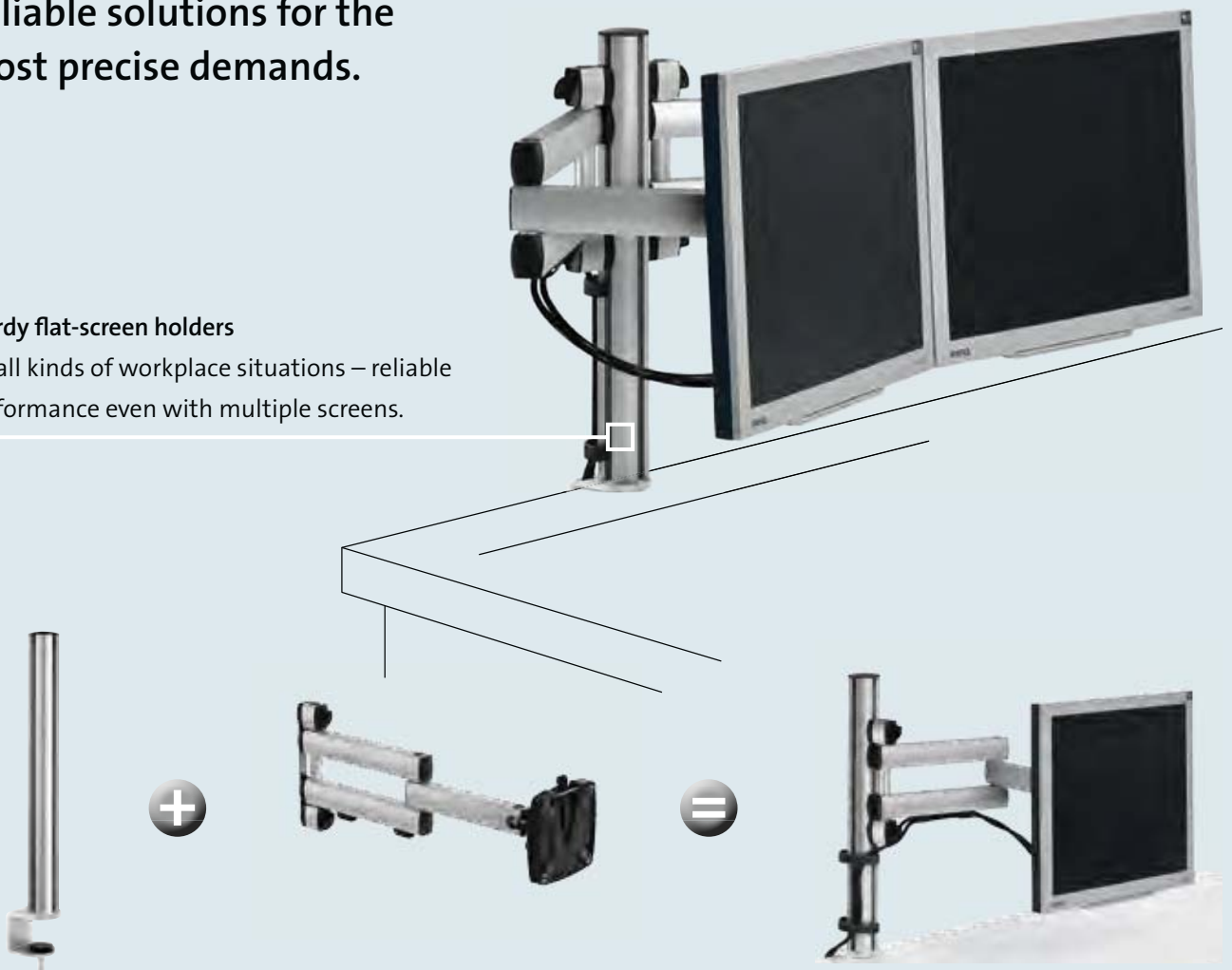




Reliable solutions for the most precise demands.

Sturdy flat-screen holders

for all kinds of workplace situations – reliable performance even with multiple screens.



All components can be combined in any way:

Simply choose column with mount and support arm and get precisely the solution you are looking for.

Monitor mounts with very high loading capacities – in the production environment for instance.



The modern flat-screen holders from N give monitors new positioning flexibility. Whether in the office or control centre, the Tetra-Support-System equips every workstation with a flexible solution for mounting monitors securely.



N TSS Basic

N bestseller for ergonomically correct use of the flat screen at your workstation
 Table mounting with system clamp 1 for a table thickness of 14-40 mm
 Mounting standard 75/100 mm
 Carrying capacity: monitor weight 12 kg, infinitely variable height
 Range: folding arm III 505 mm
 Height of the column: 445 mm

Colours



Art.No.

220+0050+000

EAN Code

4009729046616



N TSS XL

The perfect solution for bigger screens
 Table mount with cable port attachment for a table thickness of 5-70 mm
 Mounting standards: 100x100 and 200x100
 Carrying capacity: monitor weight 20 kg, infinitely variable height
 Range: 64 mm
 Height of the column: 545 mm

Colours



Art.No.

220+0110+000

EAN Code

4009729046678



N TSS Duo

Twin screen solution with the N Tetra-Support-System.
 Table mounting with system clamp 1 for a table thickness of 14-40 mm
 Mounting standard 75/100 mm
 Total carrying capacity: 11 kg, evenly spread over all support arms, infinitely variable height
 Range: folding arm III 505 mm
 Height of the column: 445 mm

Colours



Art.No.

220+0060+000

EAN Code

4009729046623





N TSS Trio

Three-screen solution for a much better productivity
 Drilling screw fitting HD, for desktop thickness 15-70 mm
 Mounting standard 75/100 mm
 Total carrying capacity: 45 kg, evenly spread over all support arms, infinitely variable height
 Range: folding arm III XL 700 mm / support carriage 105 mm
 Height of the column: 445 mm

Colours

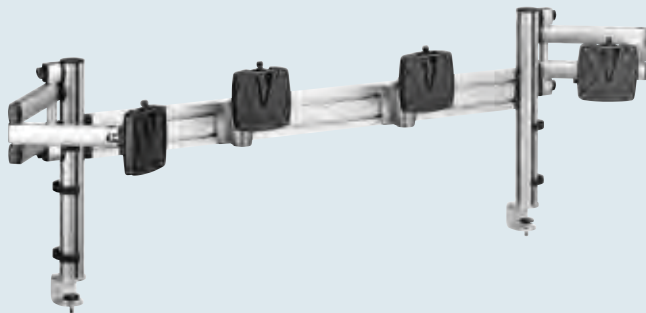


Art.No.

220+0180+000

EAN Code

4009729046746



N Control Center

Everything in view – the monitor bridge of the N Tetra-Support-System
 Table mounting with system clamp 1 for a table thickness of 14-40 mm
 Mounting standard 75/100 mm
 Total carrying capacity: 22 kg, evenly spread over all support arms
 Range: folding arm III 505 mm / SW LM arm 0-0-1125 mm
 Size(width) of the Toolbar 1200 mm
 Height of the column: 445 mm

Colours



Art.No.

220+0130+000

EAN Code

4009729046692



N TSS Quattro

Four flat screens – no problem for the N Tetra-Support-System Drilling screw fitting HD, for desktop thickness 15-70 mm
 Mounting standard 75/100 mm
 Total carrying capacity: 48 kg, evenly spread over all support arms, infinitely variable height
 Range: folding arm III 505 mm
 Height of the column: 845 mm

Colours



Art.No.

220+0080+000

EAN Code

4009729046647





N TSS column with support foot

Aluminium column with four slots and base

Solid base weighing 4 kg with rubber pads to protect the desk surface and for stability

Available in length: 445mm

Includes two cable clips

For TSS support carriage

Colours



Art.No.

961+0309+000

EAN Code

4009729030585



N TSS column with system clamp 1 (14-40 mm)

Aluminium column with four slots and system clamp 1

Table mounting with system clamp 1 for a table thickness of 14-40 mm

Available in lengths: 445 mm and 545 mm

Includes two cable clips

Suitable for all TSS support elements

Colours



Art.No.

961+0609+000

EAN Code

4009729033661



961+0639+000

4009729042151



N TSS column with system clamp 1 (13-25 mm)

Aluminium column with four slots and system clamp 1

Table mounting with system clamp 1 for a desk thickness of 13-25 mm, ideal for mounting on sliding tabletops

Available in lengths: 445 mm and 545 mm

Includes two cable clips

Suitable for all TSS support elements

Colours



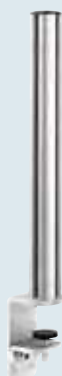
Art.No.

961+2709+000

EAN Code

4009729045015





N TSS column with system clamp 2

Aluminium column with four slots and system clamp 2
 Table mounting with system clamp with 2 for a table thickness of 5-70 mm
 Available in lengths: 445 mm and 545 mm
 Includes two cable clips
 Suitable for all TSS support elements

Colours



Art.No.
961+0209+000

EAN Code
4009729027974



Art.No.
961+0239+000

EAN Code
4009729042168



N TSS column with drilling screw fitting Aluminium

column with four slots and drilling screw fitting
 Table mount with drilling screw fitting for a table thickness of 5-70 mm
 Available in lengths: 445 mm, 545 mm and 845 mm
 Includes two cable clips
 Suitable for all TSS support elements

Colours



Art.No.
961+0109+000

EAN Code
4009729027950



Art.No.
961+0139+000

EAN Code
4009729042182



Art.No.
961+0119+000

EAN Code
4009729027967





N TSS column with drilling screw fitting HD

Aluminium

column with four slots and heavy duty drilling screw mounting Drilling screw fitting HD, for desktop thickness 15-70 mm

Available in lengths: 445 mm and 890 mm

Includes two cable clips

Suitable for all TSS support elements

Colours



Art.No.

961+1809+000

EAN Code

4009729050408



961+1819+000

4009729050422



N TSS column with cable port attachment

Aluminium

column with four slots and cable port attachment

Table mount with cable port attachment for a table thickness of 5-70 mm

Available in lengths: 445 mm, 545 mm and 845 mm

Includes two cable clips

Suitable for all TSS support elements

Colours



Art.No.

961+0409+000

EAN Code

4009729033333



961+0439+000

4009729042175



961+0419+000

4009729033456



N TSS column with location pin adaption Aluminium

column with four slots and pin adapter
 Table mount with pin adapter (diameter 16 mm) for use in various table adapters of the office furniture industry
 Height of the column: 445 mm
 Includes two cable clips
 Suitable for all TSS support elements

Colours



Art.No.

961+2509+000

EAN Code

4009729045008



N TSS column with system rail mounting Aluminium

column with four slots and system rail attachment
 System rail mount for use in various system rails from the office furniture industry
 Available in length: 445 mm
 Includes two slot nuts and two cable clips
 Suitable for all TSS support elements

Colours



Art.No.

961+2309+000

EAN Code

4009729044995



N TSS wall rail

Aluminium column (depth of 38,5 mm) with three slots for wall
 Wall mounting with screws
 Available in lengths: 445 mm and 890 mm
 Width of the column: 51 mm
 Includes two cable clips
 Can be combined with SlatWall elements
 Suitable for all TSS support elements

Colours



Art.No.

961+0509+000

EAN Code

4009729033463



961+0519+000

4009729033470





N TSS column with ceiling mount

Aluminium column with four slots and ceiling mount For mounting at the ceiling, depending on ceiling texture Height of the column: 845 mm

Includes two cable clips

Suitable for all TSS support elements

Colours



Art.No.

961+0819+000

EAN Code

4009729042144



N TSS column with floor-ceiling mount

Aluminium column with four slots and ceiling/floor mount For mounting between the ceiling and floor, depending on the ceiling and floor texture

Special dimensions on request

Including mounts, the column has a length of 2500mm, with length compensation from -15 to +15 mm

Includes two cable clips

Suitable for all TSS support elements



Colours



Art.No.

961+0949+000

EAN Code

4009729044254



N TSS support carriage

High quality infinitely height adjustable support carriage

Easy mounting of the monitor by quick release with one hand operation, suitable for attachment standard 75/100

Mounting of flat screens up to 15 kg

Restrict movement by tightening the joints

Swivelling and tiltable for mobility in confined spaces with ball joint

Range: 105 mm

In high-quality aluminium and metal

Removable clamping grips for protection from theft

Obligatory supplement is a TSS column

Colours



Art.No.

963+0119+000

EAN Code

4009729047002





N TSS support carriage 32

High quality infinitely height adjustable support carriage
 Suitable for mounting standards: 100x100 and 200x100
 Mounting of flat screens up to 20 kg
 Restrict movement by tightening the joints
 Turnable for movement on limited space
 Range: 64 mm
 In high-quality aluminium and metal
 Supplied with fixing screws M5 and M6
 Obligatory supplement is a TSS column

Colours



Art.No.

963+0029+001

EAN Code

4009729044230



N TSS support arm

High quality infinitely height adjustable 1-part monitor support arm
 Easy mounting of the monitor by quick release with one hand operation,
 suitable for attachment standard 75/100
 Mounting of flat screens up to 15 kg
 Restrict movement by tightening the joints
 Easy monitor adjustment by different joints
 Range: 250 mm
 Perfect cable management by cable clips
 In high-quality aluminium and metal
 Removable clamping grips for protection from theft
 Obligatory supplement is a TSS column

Colours

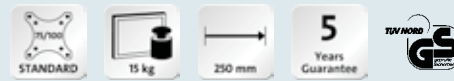


Art.No.

962+0119+000

EAN Code

4009729046999



N TSS supporting arm 32

High quality infinitely height adjustable support arm
 Suitable for mounting standards: 100x100 and 200x100
 Mounting of flat screens up to 20 kg
 Restrict movement by tightening the joints
 Swivelling and tiltable
 Range: 187 mm
 In high-quality aluminium and metal
 Supplied with fixing screws M5 and M6
 Obligatory supplement is a TSS column

Colours



Art.No.

962+0029+000

EAN Code

4009729044223





N TSS folding arm II

High quality infinitely height adjustable 2-part monitor support arm
Easy mounting of the monitor by quick release with one hand operation, suitable for attachment standard 75/100
Mounting of flat screens up to 10 kg
Restrict movement by tightening the joints
Ergonomic monitor setting by various joints
Range: 450 mm
Perfect cable management by cable clips
In high-quality aluminium and metal
Removable clamping grips for protection from theft
Obligatory supplement is a TSS column

Colours



Art.No.

964+0119+000

EAN Code

4009729046982



N TSS folding arm III

High quality 2-part articulated arm, infinitely height adjustable
Easy mounting of the monitor by quick release with one hand operation, suitable for attachment standard 75/100
Mounting of flat screens up to 15 kg
Restrict movement by tightening the joints
Ergonomic monitor setting by various joints
Range: 505 mm
Perfect cable management by cable clips
Removable clamping grips for protection from theft
Obligatory supplement is a TSS column

Colours



Art.No.

965+0119+000

EAN Code

4009729046975



N TSS folding arm III XL (700)

High quality 2-part articulated arm, infinitely height adjustable
Easy mounting of the monitor by quick release with one hand operation, suitable for attachment standard 75/100
Mounting of flat screens up to 10 kg
Restrict movement by tightening the joints
Ergonomic monitor setting by various joints
Range: 700 mm
Perfect cable management by cable clips
Removable clamping grips for protection from theft
Obligatory supplement is a TSS column

Colours



Art.No.

965+0119+001

EAN Code

4009729047514





Colours



Art.No.

965+0119+003

EAN Code

4009729047521

N TSS folding arm III XL (800)

High quality 2-part articulated arm, infinitely height adjustable
 Easy mounting of the monitor by quick release with one hand operation, suitable for attachment standard 75/100
 Mounting of flat screens up to 10 kg
 Restrict movement by tightening the joints
 Ergonomic monitor setting by various joints
 Range: 800 mm
 Perfect cable management by cable clips
 Removable clamping grips for protection from theft
 Obligatory supplement is a TSS column



Colours



Art.No.

965+0119+004

EAN Code

4009729047538

N TSS folding arm III XL (900)

High quality 2-part articulated arm, infinitely height adjustable
 Easy mounting of the monitor by quick release with one hand operation, suitable for attachment standard 75/100
 Mounting of flat screens up to 10 kg
 Restrict movement by tightening the joints
 Ergonomic monitor setting by various joints
 Range: 900 mm
 Perfect cable management by cable clips
 Removable clamping grips for protection from theft
 Obligatory supplement is a TSS column



Colours



Art.No.

966+0119+000

EAN Code

4009729047156

N TSS notebook holder

High quality notebook holder with 2-part aluminium arm, infinitely adjustable
 Support platform (400 x 288 mm) for regular and large notebooks
 Carrying capacity up to 10 kg
 Turn- and tiltable up to 45°
 Range: 589 mm
 Grommet in the support plate
 Removable clamping grips for protection from theft and cable holder
 Obligatory supplement is a TSS column





Colours



Art.No.

967+0119+000

EAN Code

4009729047163

N TSS keyboard holder

High quality keyboard holder with 2-part aluminium arm, infinitely adjustable
Support platform for computer keyboard and mouse (640 x 172 mm)

Restrict movement by tightening the joints

Turn- and tiltable up to 45°

Range: 528 mm

Removable clamping grips for protection from theft and cable holder

Obligatory supplement is a TSS column



Colours



Art.No.

795+4458+000

EAN Code

4009729051665



795+5458+000

4009729051672



795+8458+000

4009729051689

N Cover Strips

Cover strips for TSS slots, for hygienic and easy surface cleaning

Available as pack of four

Available in lengths: 445 mm, 545 mm and 845 mm

Suitable for all TSS columns in standard lengths



Colours



Art.No.

795+9100+000

EAN Code

4009729033012

N drop guard

Prevents monitor arms from slipping off

Can also be used as anti-theft device



N TSS cable clip set

Clips for cable management directly at the column
Available as pack of two

Colours



Art.No.

961+0005+000

EAN Code

4009729031391



N SlatWall

Organisation wall for a perfectly organised workspace

Consisting of: four SlatWall elements, two TSS-445 columns with system clamp 1

The individual elements can be mounted in varying numbers and positions

Available in lengths: 800 mm, 1000 mm and 1200 mm (incl. TSS columns)

Combinable with monitor support arms, SlatWall boards and accessories from the series Pura Line

Colours



Art.No.

974+0805+000

EAN Code

4009729035795



974+1005+000

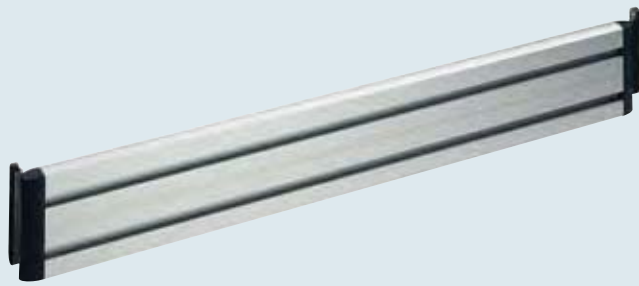
4009729035504



974+1205+000

4009729035771





N SlatWall element

Element can be combined with TSS columns for a perfectly organized work-space

Available in lengths: 800 mm, 1000 mm, 1200 mm & 1600 mm (incl. TSS columns)

Combinable with monitor support arms, SlatWall boards and accessories from the series Pura Line



Colours



Art.No.

973+0805+000

EAN Code

4009729034941



973+1005+000

4009729034958



973+1205+000

4009729035764



973+1605+000

4009729052518



TSS Toolbar

SlatWall element with two slots for attaching accessories and monitor arms

Table mounting with system clamp 1

Available in lengths: 800 mm, 1000 mm, 1200 mm & 1600 mm (incl. TSS columns)



Colours



Art.No.

975+1209+000

EAN Code

4009729052877



975+1409+000

4009729052884



975+1609+000

4009729052891

FLATSCREENHOLDERS – N TETRA - SUPPORT - SYSTEM



N railing

Rail with two slots for attaching various accessories

Not suitable for attachment of monitors

Table mounting with universal clamp 1 for a table thickness of 18-74 mm

Available in lengths: 800 mm and 1000 mm

Colours



Art.No.

972+0805+000

EAN Code

4009729034637



972+0802+000

4009729034606



972+1005+000

4009729034620



972+1002+000

4009729034613



N SlatWall Cable clip

Cable clip for optimal cable management at SlatWall

Available as pack of three

Colours



Art.No.

796+0005+000

EAN Code

4009729041543





N Pura Line tray B4

High quality tray for documents in sizes up to DIN B4, available in two sizes
Dimensions of portrait format: W 248 mm, H 64 mm, D 330 mm; dimensions of landscape format: W 330 mm, H 64 mm, D 248 mm

In high-quality metal with powder-coated finish
Obligatory supplement is a SlatWall element or rail

Colours



Art.No.

723+0019+000

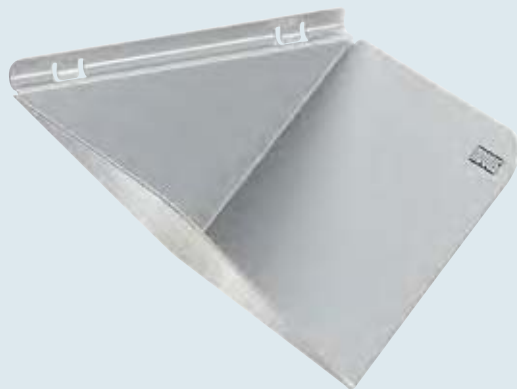
EAN Code

4009729035962



723+0029+000

4009729035979



N Pura Line CD rack

In high-quality metal with powder-coated finish
Dimensions: W 164 mm, H 83 mm, D 146 mm
Obligatory supplement is a SlatWall element or rail

Colours



Art.No.

723+0039+000

EAN Code

4009729035986



N Pura Line hanging file holder

Hanging file holder takes your files to eye level
In high-quality metal with powder-coated finish
Dimensions: W 164 mm, H 83 mm, D 146 mm
Obligatory supplement is a SlatWall element

Colours



Art.No.

723+0079+000

EAN Code

4009729036020





N Pura Line pencil cup

Taking up very little space on the SlatWall, the pencil cup keeps everything neat and tidy

In high-quality metal with powder-coated finish

Dimensions: W 85 mm, H 84 mm, D 86 mm

Obligatory supplement is a SlatWall element or rail

Colours



Art.No.

723+0069+000

EAN Code

4009729036013



N Pura Line multi-purpose box High quality

multi purpose box, available in two sizes Dimensions

large: W 330 mm, H 64 mm, D 146 mm; Dimensions

small: W 165 mm, H 64 mm, D 146 mm In high-

quality metal with powder-coated finish Obligatory

supplement is a SlatWall element or rail

Colours



Art.No.

723+0059+000

EAN Code

4009729036006



723+0049+000

4009729035993



N SlatWall-board

Elegant filing board for files, books and other office utensils with a large surface thanks depth of 302 mm

Practical, infinitely adjustable side supports

Available in lengths: 600 mm, 800 mm and 1000 mm

Obligatory supplement is a SlatWall element

Colours



Art.No.

760+0605+000

EAN Code

4009729040300



760+0805+000

4009729029466



760+1005+000

4009729029473



N FileMaster 34

Shelf for mounting on top of extensible more space system products

High quality, ribbed aluminium surface with back edge

Ideal for opposite arranged working surfaces

Rotating around 360°

Shelf depth: 304 mm

Width: 340 mm

Can also be hooked into SlatWall elements

Colours



Art.No.

762+0345+000

EAN Code

4009729029442



762+0342+000

4009729029435

Everything under control in ergonomic perfection.

Adjustable joints
for various applications.

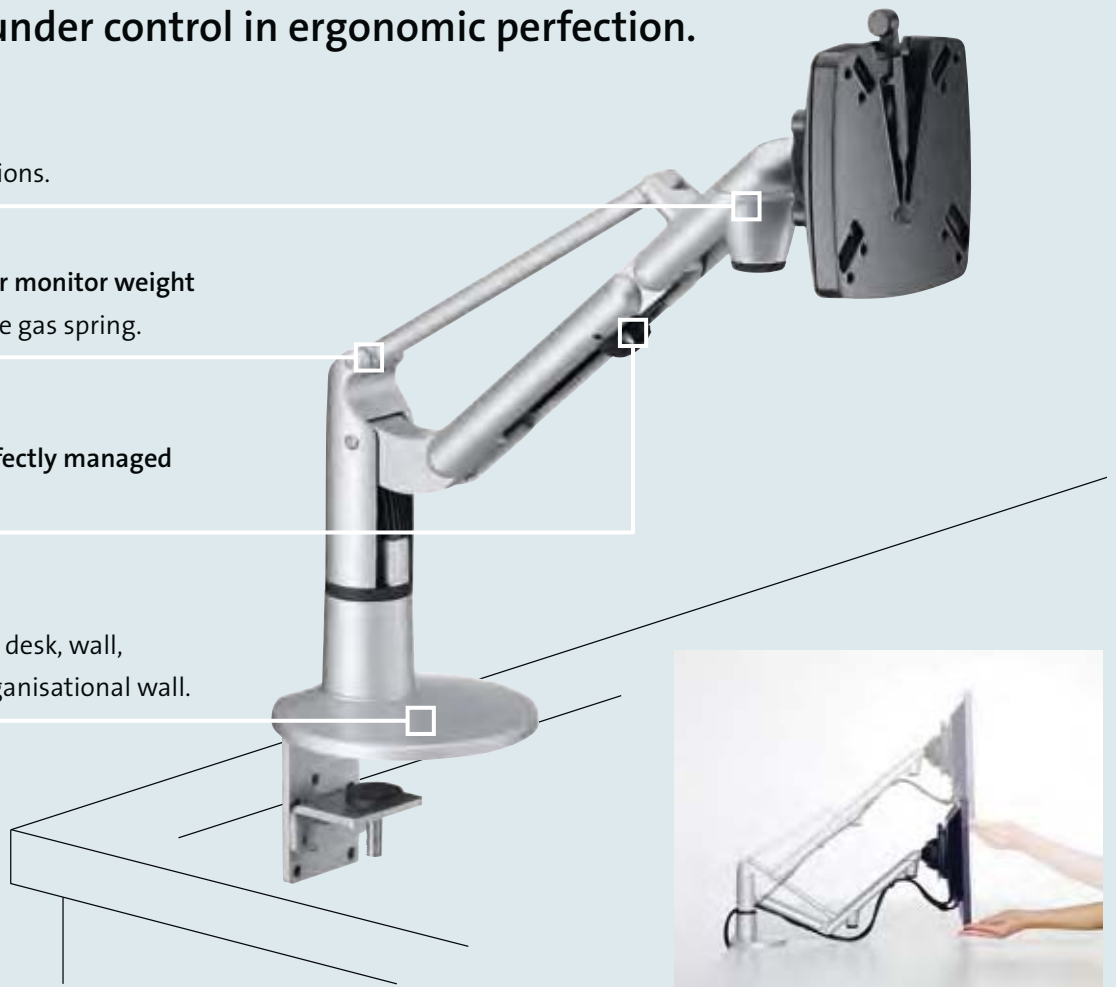
Exactly balanced for monitor weight
thanks to adjustable gas spring.

Monitor cables perfectly managed
by cable clips.

Flexible mounts for desk, wall,
TSS column and organisational wall.

Modern design and system flexibility
for sit-stand workstations.

Comfortable work posture from super-easy height-adjustment capability.



The LiftTEC® arm with convenient gas spring technology can be infinitely adjusted to any height with incredible ease.



N Comfort Duo, with drilling screw fitting

N LiftTEC – the innovative support arm concept for ergonomics and special convenience

Drilling screw fitting, desktop thickness 5-70 mm

Mounting standard 75/100 mm

Carrying capacity: monitor weight 2 x 3-8 kg, infinitely variable height

Range: 547 mm

Height of the column: 445 mm

Colours



Art.No.

220+0150+000

EAN Code

4009729046715



N LiftTEC Arm I, with table mount

1-part monitor supporting arm with gas spring technology for comfortable, ergonomic adjustment

3 in 1 mounting (clamp, cable port or drilling screw)

Easy mounting of the monitor by quick release with one hand operation, suitable for attachment standard 75/100

Mounting of flat screens of 3-8 kg or 7-15 kg

Range: 365 mm

Perfect cable management by cable clips

Colours



Art.No.

930+1089+000

EAN Code

4009729044551



930+1159+000

4009729044568



N LiftTEC Arm II, with table mount

2-part monitor supporting arm with gas spring technology for comfortable, ergonomic adjustment

3 in 1 mounting (clamp, cable port or drilling screw)

Easy mounting of the monitor by quick release with one hand operation, suitable for attachment standard 75/100

Mounting of flat screens of 3-8 kg or 7-15 kg

Range: 515 mm

Perfect cable management by cable clips

Colours



Art.No.

930+2089+000

EAN Code

4009729043868



930+2159+000

4009729043875



N LiftTEC Arm III, with table mount

2-part monitor supporting arm with gas spring technology for comfortable, ergonomic adjustment

With straight front arm section for a very low screen positioning

3 in 1 mounting (clamp, cable port or drilling screw)

Easy mounting of the monitor by quick release with one hand operation, suitable for attachment standard 75/100

Mounting of flat screens of 3-8 kg or 7-15 kg

Range: 515 mm

Perfect cable management by cable clips

Colours



Art.No.

930+3089+000

EAN Code

4009729045398



930+3159+000

4009729045404





N TSS-LiftTEC-Arm I, with column mount

1-part monitor supporting arm with gas spring technology for comfortable, ergonomic adjustment

With TSS column adapter

Easy mounting of the monitor by quick release with one hand operation, suitable for attachment standard 75/100

Mounting of flat screens of 3-8 kg or 7-15 kg

Range: 397 mm

Perfect cable management by cable clips

Obligatory supplement is a TSS column

Colours



Art.No.

980+1089+000

EAN Code

4009729044612



980+1159+000

4009729044629



N TSS-LiftTEC-Arm II, with column mount

2-part monitor supporting arm with gas spring technology for comfortable, ergonomic adjustment

With TSS column adapter

Easy mounting of the monitor by quick release with one hand operation, suitable for attachment standard 75/100

Mounting of flat screens of 3-8 kg or 7-15 kg

Range: 547 mm

Perfect cable management by cable clips

Obligatory supplement is a TSS column

Colours



Art.No.

980+2089+000

EAN Code

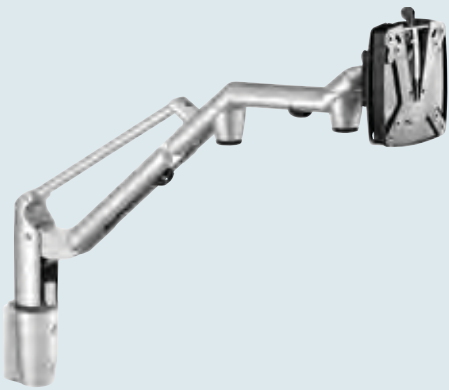
4009729043882



980+2159+000

4009729043899





N TSS-LiftTEC-Arm III, with column mount

2-part monitor supporting arm with gas spring technology for comfortable, ergonomic adjustment
 With straight front arm section for a very low screen positioning
 With TSS column adapter
 Easy mounting of the monitor by quick release with one hand operation, suitable for attachment standard 75/100
 Mounting of flat screens of 3-8 kg or 7-15 kg
 Range: 547 mm
 Perfect cable management by cable clips
 Obligatory supplement is a TSS column

Colours



Art.No.	EAN Code
980+3089+000	4009729045435
980+3159+000	4009729045442



N SlatWall LiftTEC Arm I, with SlatWall mount

1-part monitor supporting arm with gas spring technology for comfortable, ergonomic adjustment
 With SlatWall adapter
 Easy mounting of the monitor by quick release with one hand operation, suitable for attachment standard 75/100
 Mounting of flat screens of 3-8 kg
 Range: 400 mm
 Perfect cable management by cable clips
 Obligatory supplement is a SlatWall element

Colours



Art.No.	EAN Code
981+1089+000	4009729044643



N SlatWall LiftTEC Arm II, with SlatWall mount

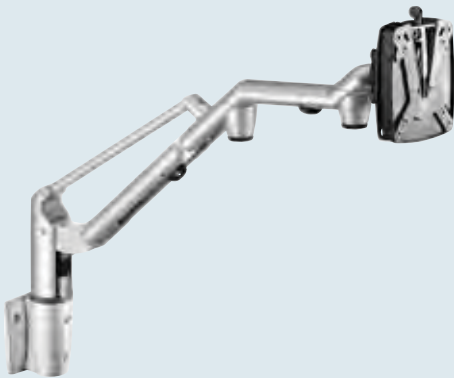
2-part monitor supporting arm with gas spring technology for comfortable, ergonomic adjustment
 With SlatWall adapter
 Easy mounting of the monitor by quick release with one hand operation, suitable for attachment standard 75/100
 Mounting of flat screens of 3-8 kg
 Range: 550 mm
 Perfect cable management by cable clips
 Obligatory supplement is a SlatWall element

Colours



Art.No.	EAN Code
981+2089+000	4009729044636





N SlatWall LiftTEC Arm III, with SlatWall mount 2-part

monitor supporting arm with gas spring technology for comfortable, ergonomic adjustment

With straight front arm section for a very low screen positioning

With SlatWall adapter

Easy mounting of the monitor by quick release with one hand operation, suitable for attachment standard 75/100

Mounting of flat screens of 3-8 kg

Range: 550 mm

Perfect cable management by cable clips

Obligatory supplement is a SlatWall element

Colours



Art.No.

981+3089+000

EAN Code

4009729045459



N LiftTEC Arm I, with wall mount

1-part monitor supporting arm with gas spring technology for comfortable, ergonomic adjustment

With wall bracket

Easy mounting of the monitor by quick release with one hand operation, suitable for attachment standard 75/100

Mounting of flat screens of 3-8 kg depending on wall texture

Range: 400 mm

Perfect cable management by cable clips

Colours



Art.No.

931+1089+000

EAN Code

4009729044599



N LiftTEC Arm II, with wall mount

2-part monitor supporting arm with gas spring technology for comfortable, ergonomic adjustment of the monitor for mounting directly on the wall

With wall bracket

Easy mounting of the monitor by quick release with one hand operation, suitable for attachment standard 75/100

Mounting of flat screens of 3-8 kg depending on wall texture

Range: 550 mm

Perfect cable management by cable clips

Colours



Art.No.

931+2089+000

EAN Code

4009729044575





Colours



Art.No.

931+3089+000

EAN Code

4009729045411

N LiftTEC Arm III, with wall mount

2-part monitor supporting arm with gas spring technology for comfortable, ergonomic adjustment of the monitor for mounting directly on the wall
With straight front arm section for a very low screen positioning
With wall bracket

Easy mounting of the monitor by quick release with one hand operation, suitable for attachment standard 75/100

Mounting of flat screens of 3-8 kg depending on wall texture

Range: 550 mm

Perfect cable management by cable clips



Colours



Art.No.

930+1279+000

EAN Code

4009729046456

N LiftTEC Arm I Dual, with table mount

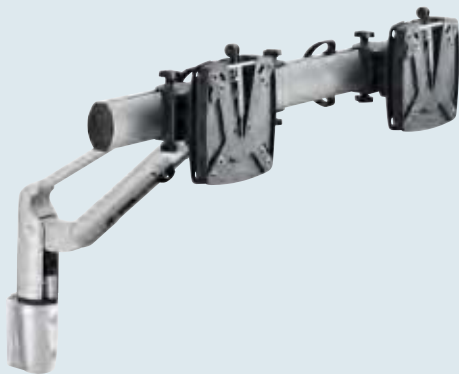
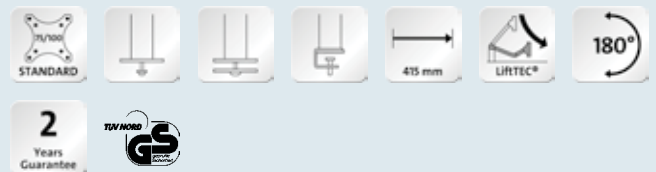
Double monitor support arm for comfortable, ergonomic adjustment of the monitor to the personal needs with gas spring
3 in 1 mounting (clamp, cable port or drilling screw)

Easy mounting of the monitor by quick release with one hand operation, suitable for attachment standard 75/100

Mounting of two flat screens up to 7 kg alongside or above one another

Range: 415 mm

Perfect cable management by cable clips



Colours



Art.No.

980+1279+000

EAN Code

4009729046463

N TSS-LiftTEC-Arm I Dual, with column mount

Double monitor support arm for comfortable, ergonomic adjustment of the monitor to the personal needs with gas spring

Easy mounting of the monitor by quick release with one hand operation, suitable for attachment standard 75/100

Mounting of two flat screens up to 7 kg alongside or above one another

Range: 447 mm

Perfect cable management by cable clips

Obligatory supplement is a TSS column





N TSS-LM-Arm 0-0-1, with column mount

High quality infinitely height adjustable support carriage

With TSS column adapter

Easy mounting of the monitor by quick release with one hand operation, suitable for attachment standard 75/100

Mounting of flat screens up to 15 kg

Various joints for high mobility in limited space

Range: 122 mm

Obligatory supplement is a TSS column

Colours



Art.No.

980+0159+000

EAN Code

4009729045756



N TSS-LM-Arm 0-2-1, with column mount

High quality infinitely height adjustable 2-part monitor support arm

With TSS column adapter

Easy mounting of the monitor by quick release with one hand operation, suitable for attachment standard 75/100

Mounting of flat screens up to 15 kg

Ergonomic monitor setting to the personal needs by various joints

Range: 272 mm

Perfect cable management by cable clips

Obligatory supplement is a TSS column

Colours



Art.No.

980+4159+000

EAN Code

4009729045763



N TSS-LM-Arm 0-0-4 Dual, with column mount

High quality infinitely height adjustable double monitor support arm With TSS column adapter

Easy mounting of the monitor by quick release with one hand operation, suitable for attachment standard 75/100

Mounting of two flat screens up to 7 kg alongside or above one another

Range: 172 mm

Perfect cable management by cable clips

Obligatory supplement is a TSS column

Colours



Art.No.

980+0279+000

EAN Code

4009729046517





N SlatWall LM-Arm 0-0-1, with SlatWall mount High

quality support carriage

With SlatWall adapter

Easy mounting of the monitor by quick release with one hand operation, suitable for attachment standard 75/100

Mounting of flat screens up to 8 kg

High mobility in confined space by ball joint

Range: 125 mm

Obligatory supplement is a SlatWall element

Colours



Art.No.

981+0089+000

EAN Code

4009729045824



N SlatWall LM-Arm 0-2-1, with SlatWall mount High

quality monitor support arm

With straight front arm section

With SlatWall adapter

Easy mounting of the monitor by quick release with one hand operation, suitable for attachment standard 75/100

Mounting of flat screens up to 8 kg

Various joints for high mobility

Range: 275 mm

Perfect cable management by cable clips

Obligatory supplement is a SlatWall element

Colours



Art.No.

981+4089+000

EAN Code

4009729045831



N Balance 30

Height adjustment to compensate different heights of parallel arranged monitors

Compensation range: + - 30 mm

For monitors suitable for the VESA mounting standard 75/100

Necessary when using the SlatWall LM arm 0-0-1 and SlatWall LM arm 0-2-1 in combination next to each other

Colours



Art.No.

795+9075+000

EAN Code

4009729047170





N LM arm 0-0-1 WH

High quality support carriage for mounting a monitor directly to the wall
With wall bracket

Easy mounting of the monitor by quick release with one hand operation,
suitable for attachment standard 75/100

Mounting of flat screens up to 8 kg depending on wall texture

High mobility in confined space by ball joint

Wall distance: 125 mm

Colours



Art.No.
931+0089+000

EAN Code
4009729045688



N LM-Arm 0-2-1, with wall mount

High quality monitor support for attaching a monitor directly to the wall
With wall bracket

Easy mounting of the monitor by quick release with one hand operation,
suitable for attachment standard 75/100

Mounting of flat screens up to 8 kg depending on wall texture

Various joints for high mobility

Range: 275 mm

Perfect cable management by cable clips

Colours



Art.No.
931+4089+000

EAN Code
4009729045695



Great performance for maximum attention.

Impressive: the N ScreenMount is designed specifically for attaching heavy (30-100 kg) and particularly large (up to 70-inch) monitors.



Secure and flexible on wall, floor and ceiling.

Ideal for foyers and reception areas: N ScreenMount is the perfect choice for setting off prestigious-looking, large-sized screens.





ScreenMount Fix 400, wall mount

Sturdy wall mount for mounting large screens particularly close to the wall

Suitable for mounting standards: 100x100, 200x100, 200x200, 300x300, 400x200, 400x300

Mounting of flat screens up to 35 kg

Wall distance: 35 mm

In high-quality metal with powder-coated finish

Reliable drop guard as protection against unintentional release of screen

Integrated spirit level for ease of installation

Colours



Art.No.

940+0405+000

EAN Code

4009729055465



ScreenMount Fix 700, wall mount

Sturdy wall mount for mounting very large flat screens particularly close to the wall

Suitable for mounting standards: 100x100, 200x100, 200x200, 300x300, 400x200, 400x400, 600x200, 600x400

Mounting of flat screens up to 45 kg

Wall distance: 35 mm

In high-quality metal with powder-coated finish

Reliable drop guard as protection against unintentional release of screen

Integrated spirit level for ease of installation

Colours



Art.No.

940+0705+000

EAN Code

4009729055472



ScreenMount Vario 400, wall mount

Tilting wall mount for mounting large screens close to the wall

Suitable for mounting standards: 100x100, 200x100, 200x200, 300x300, 400x200, 400x400

Mounting of flat screens up to 35 kg

Wall distance: 61 mm

Five adjustable tilt angles of 0°, 4°, 8°, 12° or 16° for any chosen viewing angle

In high-quality metal with powder-coated finish

Reliable drop guard as protection against unintentional release of screen

Integrated spirit level for ease of installation

Colours



Art.No.

943+0405+000

EAN Code

4009729055489





Colours



Art.No.

943+0705+000

EAN Code

4009729055496

ScreenMount Vario 700, wall mount

Tilting wall mount for mounting large screens close to the wall

Suitable for mounting standards: 100x100, 200x100, 200x200, 300x300, 400x200, 400x400, 600x200, 600x400

Mounting of flat screens up to 45 kg

Wall distance: 61 mm

Five adjustable tilt angles of 0°, 4°, 8°, 12° or 16° for any chosen viewing angle

In high-quality metal with powder-coated finish

Reliable drop guard as protection against unintentional release of screen

Integrated spirit level for ease of installation



Colours



Art.No.

943+4905+000

EAN Code

4009729055502

ScreenMount Flex, wall mount

High-quality wall mount with flexible articulated arm for holding particularly large screens

Suitable for mounting standards: 200x200, 300x300, 400x200, 400x400, 600x200, 600x400

For mounting flat screens weighing up to 30 kg

Three joints provide positioning flexibility

Wall distance: from a minimum of 39 mm to a maximum of 490 mm

180° swivelling range and forward tilt angle of up to 20° for any chosen viewing angle

In high-quality metal with powder-coated finish

Complete with spirit level for ease of installation



Colours



Art.No.

944+1409+000

EAN Code

4009729055519

ScreenMount Ceiling 140, ceiling mount

Sturdy ceiling mount with telescopic extension for holding particularly large screens

The distance from the ceiling can be varied between 77 cm and 144 cm, providing flexible adjustability to ceiling height

Suitable for mounting standards: 200x100, 200x200, 300x300, 400x200, 400x400, 600x200, 600x400, 800x200, 800x400

Mounting of flat screens up to 100 kg

360° turning function and forward tilt angle of up to 15° for any chosen viewing angle

Internal cable routing for optimum cable management

In high-quality aluminium and metal

Reliable drop guard as protection against unintentional release of screen





ScreenMount Ceiling 220, ceiling mount

Sturdy ceiling mount with telescopic extension for holding particularly large screens

The distance from the ceiling can be varied between 118 cm and 220 cm, providing flexible adjustability to ceiling height

Suitable for mounting standards: 200x100, 200x200, 300x300, 400x200, 400x400, 600x200, 600x400, 800x200, 800x400

Mounting of flat screens up to 100 kg

360° turning function and forward tilt angle of up to 15° for any chosen angle viewing angle

Internal cable routing for optimum cable management

In high-quality metal with powder-coated finish

Reliable drop guard as protection against unintentional release of screen

Colours



Art.No.

944+2209+000

EAN Code

4009729055526



ScreenMount Stand, support stand

Universal support stand for mounting particularly large screens

Suitable for the following mounting standards: 200x100, 200x200, 300x300, 400x200, 400x400, 600x200, 600x400

For mounting flat screens weighing up to 30 kg

60° swivelling range for any chosen viewing angle

Cable holder behind the column for perfect cable management

Support stand in high-quality aluminium with baseplate finished in high-gloss lacquer

Reliable drop guard as protection against unintentional release of screen

Colours

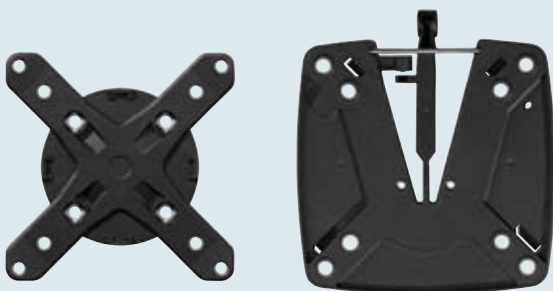


Art.No.

945+1749+000

EAN Code

4009729055533



N QuickMount

For the particularly flat mounting of monitors on the wall

Easy mounting of the monitor by quick release with one hand operation, suitable for attachment standard 75/100

For mounting flat screens weighing up to 25 kg

Wall distance: 20 mm

Colours



Art.No.

931+0255+000

EAN Code

4009729046043





N SKY WallMount

Wall bracket for attachment to the wall, depending on the wall texture
Easy mounting of the monitor by quick release with one hand operation,
suitable for attachment standard 75/100
Mounting of flat screens up to 10 kg
Swivelling and tiltable
Wall distance: 125 mm

Colours



Art.No.
950+0019+100

EAN Code
4009729053348



FLAT SCREEN HOLDERS – ACCESSORY

Practical accessoires for a well organised workspace.



Colours



Art.No.

795+9055+000

EAN Code

4009729044513



N adapter plate 200 x 100

Adapter plate for connection medium size monitors to the mounting standard VESA 75/100

Suitable for the following mounting standards: 200x100



Colours



Art.No.

795+9065+000

EAN Code

4009729046814



N adapter plate 200 x 200

Adapter plate for connection of large monitors to the mounting standard VESA 75/100

Suitable for the following mounting standards: 200x100, 200x200



Colours



Art.No.

795+1808+000

EAN Code

4009729051696



N Cable Guide

Textile material cable conduit for flexible cable organisation

Up to a diameter of 4 cm, the cable conduit enables a perfect guidance and organisation of the cables

Available in length: 180 cm



The right light
at the right place.



Optimal lighting at every workstation –
dimmable and with flexible articulated arms,
so light is always provided wherever needed.



N light enable an optimal light level for a pleasing working environment.



Colours



Art.No.

739+0009+000

EAN Code

4009729054239

N OFFicelight Luma

Modern LED desk light with desk clamp and 2-part aluminium arm
Adjustable joints and spring balancing mechanism for an infinitely variable height adjustment
Operating range: 890 mm
Cable length: approx. 2.2 m
This luminaire contains built-in LED lamps
This luminaire is compatible with bulbs of the energy classes A, A+, A++
The lamps cannot be changed in the luminaire



Colours



Art.No.

795+7819+000

EAN Code

4009729054321

N OFFicelight Luma support stand Stand

(6 kg)
Stable, elegant base for the desk
Diameter: 260 mm
In high-quality metal with powder-coated finish



Colours



Art.No.

737+0002+000

EAN Code

4009729047804



737+0009+000

4009729047811

N OFFicelight Corona II

Modern LED Desk Light with six powerful LEDs and 2-piece aluminium arm
Intelligent circuitry provides the N OfficeLight Corona with infinitely variable dimming
Adjustable joints and spring balancing mechanism for an infinitely variable height adjustment
Operating range: 995 mm
Cable length: approx. 2 m
This luminaire contains built-in LED lamps
This luminaire is compatible with bulbs of the energy classes A, A+, A++
The lamps cannot be changed in the luminaire





N OFFiceLight PRO II

High quality desk light with 2-piece aluminium support arm
 Anti-glare working by the mirror-finish parabolic grid reflector
 Adjustable joints and spring balancing mechanism for an infinitely variable height adjustment
 Operating range: 980 mm
 Cable length: approx. 2 m
 Supplied with 18 W TC-L compact fluorescent lamp
 This luminaire is compatible with bulbs of the energy classes A, B, C, D and E
 This luminaire is sold with a bulb of the energy class A

Colours



Colours	Art.No.	EAN Code
TC-L 18 W	735+0012+000	4009729041475
TC-L 18 W	735+0019+000	4009729041499



N OFFiceLight deLuxe II

Flexible desk light with 2-piece aluminium support arm
 Adjustable joints and spring balancing mechanism for an infinitely variable height adjustment
 Operating range: 1075 mm
 Cable length: approx. 2 m
 Supplied with 11 or 18 watt compact fluorescent lamp
 This luminaire is compatible with bulbs of the energy classes A, B, C, D and E
 This luminaire is sold with a bulb of the energy class A

Colours



Colours	Art.No.	EAN Code
TC-SEL 11 W	732+0002+000	4009729017364
TC-SEL 11 W	732+0009+000	4009729022504
TC-L 18 W	732+0012+000	4009729017388
TC-L 18 W	732+0019+000	4009729022511



The systematic way to
more individuality
and **more space.**



Versatile accessories and filing solutions keep everything in its place for a tidy desk matched to individual requirements.



The universal support arms from N are the ideal answer for a well-organised workplace. Capable of accommodating telephones and even notebooks, their carrying capacity can be upgraded.



N PhoneMaster

Compact design offering a high carrying capacity making it particularly suitable for larger and heavier-type telephones
 Table mounting with universal clamp 1 for a table thickness of 18-74 mm
 Swivelling around 360° for ease of movement
 Platform can be mounted crossways or lengthways
 Dimensions base plate: 258 x 172 mm

Colours



Art.No.	EAN Code
713+0005+000	4009729019405
713+0002+000	4009729019399



N ScopeMaster

Smoothly telescoping swivel arm for positioning of devices in the third level
 Table mounting with universal clamp 1 for a table thickness of 18-74 mm
 Rotating support platform, inclined towards the user
 Swivelling around 360° for ease of movement
 Platform can be mounted crossways or lengthways
 Internal cable routing for optimum cable management
 Dimensions base plate: 258 x 172 mm

Colours



Art.No.	EAN Code
714+0002+000	4009729019511
714+0009+000	4009729042465



N TalkMaster

Telephone swivel arm with 2-part articulated arm for filing the phone in the third level

Table mounting with universal clamp 1 for a table thickness of 18-74 mm

3-stage adjustment for flexible positioning

Swivelling around 360° for ease of movement

Platform can be mounted crossways or lengthways

Dimensions base plate: 258 x 172 mm

Colours



Art.No.

710+0005+000

EAN Code

4009729019160



710+0002+000

4009729019153



N extension platforms

Set of two extension plates to enlarge the support plate of universal support arms

Increase the size of supporting platform from 258 x 172 mm to 258 x 258 mm or 258 x 344 mm

Supplied with four clip connectors for easy assembling

Colours



Art.No.

795+0905+000

EAN Code

4009729019627



795+0902+000

4009729019610



N Copy Swinger System - these sturdy trays permit well-structured desk organisation and can be combined in any way with other products from the N more space system.



N CopySwinger I

Single tray for storage

Plastic tray with practical recessed grip for ergonomic handling

Table mounting with universal clamp 1 for a table thickness of 18-74 mm

Swivelling around 360° for ease of movement

Supplied with transparent label holder

Expandable with other more space system products with universal clamp 1

Colours



Art.No.

720+1005+000

EAN Code

4009729023730



720+1002+000

4009729023723



N CopySwinger II

Two trays among each other for a clearly arranged office organisation

Plastic tray with practical recessed grip for ergonomic handling

Table mounting with universal clamp 1 for a table thickness of 18-74 mm

Swivelling around 360° for ease of movement

Supplied with transparent label holder

Expandable with other more space system products with universal clamp 1

Colours



Art.No.

720+2005+000

EAN Code

4009729018545



720+2002+000

4009729018538





N CopySwinger III

Three trays among each other for the classic storage
 Plastic tray with practical recessed grip for ergonomic handling
 Table mounting with universal clamp 1 for a table thickness of 18-74 mm
 Swivelling around 360° for ease of movement
 Supplied with transparent label holder
 Expandable with other more space system products with universal clamp 1

Colours



Art.No.
720+3005+000 **EAN Code**
4009729018583



720+3002+000 4009729018576



N CopySwinger IV

Four trays among each other offer lots of space
 Plastic tray with practical recessed grip for ergonomic handling
 Table mounting with universal clamp 1 for a table thickness of 18-74 mm
 Swivelling around 360° for ease of movement
 Supplied with transparent label holder
 Expandable with other more space system products with universal clamp 1

Colours



Art.No.
720+4005+000 **EAN Code**
4009729018620



720+4002+000 4009729018613





N CopySwinger V

Five trays among each other offer much storage space
 Plastic trays with practical recessed grip for ergonomic handling
 Table mounting with universal clamp 1 for a table thickness of 18-74 mm
 Swivelling around 360° for ease of movement
 Supplied with transparent label holder

Colours



Art.No.	EAN Code
720+5005+000	4009729018644
720+5002+000	4009729018637



N CopySwinger Duo II

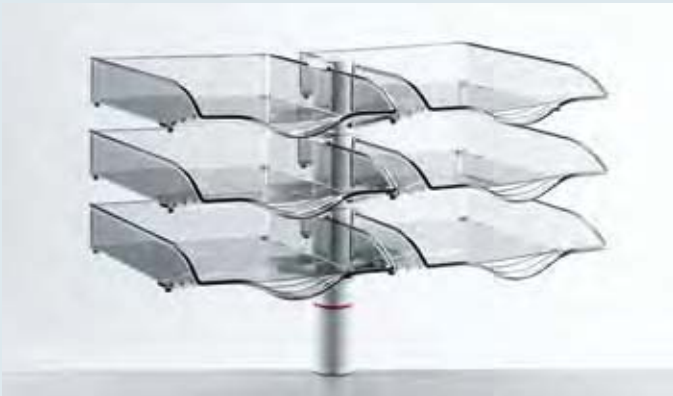
Two sets of two trays about each other
 Plastic tray with practical recessed grip for ergonomic handling
 Table mounting with universal clamp 1 for a table thickness of 18-74 mm
 Swivelling around 360° for ease of movement
 Expandable with other more space system products with universal clamp 1

Colours



Art.No.	EAN Code
721+4005+000	4009729018675
721+4002+000	4009729018668





Colours



Art.No.

721+6005+000

EAN Code

4009729018712

721+6002+000

4009729018705

N CopySwinger Duo III

Three sets of two trays about each other

Plastic tray with practical recessed grip for ergonomic handling

Table mounting with universal clamp 1 for a table thickness of 18-74 mm

Swivelling around 360° for ease of movement

Supplied with transparent label holder

Expandable with other more space system products with universal clamp 1



Colours



Art.No.

720+0000+000

EAN Code

4009729018651

N CopyTray, single tray

Stackable and removable B4-single tray

Plastic tray with practical recessed grip for ergonomic handling

Supplied with transparent label holder



First class in looks and function, the BoardMasters from N add structure to filing. Whether over a width of 100 or 120 cm: With these practical filing systems, everything's certain to land in the right tray.



N BoardMaster with supporting feet

Practical shelves for perfect organisation of the workplace with desktop feet
 Variable division in three compartments
 Elegant desktop feet for placement on the desk
 Shelf depth: 195 mm
 Available in length: 1000 mm & 1200 mm
 Expandable with other more space system products with universal clamp 1

Colours



Art.No.	EAN Code
750+0555+000	4009729018774
750+0552+000	4009729018767
750+0655+000	4009729018811
750+0652+000	4009729018804



N BoardMaster with universal clamp 1

Practical shelves for perfect organisation of the workplace for mounting at the desktop
 Variable division in three compartments
 Table mounting with universal clamp 1 for a table thickness of 18-74 mm
 Shelf depth: 195 mm
 Available in length: 1000 mm & 1200 mm
 Expandable with other more space system products with universal clamp 1

Colours



Art.No.	EAN Code
750+0505+000	4009729018750
750+0502+000	4009729018743
750+0605+000	4009729018798
750+0602+000	4009729018781





N Duo-BoardMaster with supporting feet

Two opposite boards with desktop feet

Ideal for opposite arranged working surfaces

Variable division in three compartments per board

Elegant desktop feet for placement on the desk

Shelf depth: 195mm

Available in length: 1000mm & 1200mm

Expandable with other more space system products with universal clamp 1

Colours



Art.No.

751+2565+000

EAN Code

4009729018934



751+2562+000

4009729018927



751+2665+000

4009729018972



751+2662+000

4009729018965



N Duo-BoardMaster with universal clamp 1

Two opposite boards for direct mounting on the desk

Ideal for opposite arranged working surfaces

Variable division in three compartments per board

Table mounting with universal clamp 1 for a table thickness of 18-74 mm

Shelf depth: 195 mm

Available in length: 1000 mm & 1200 mm

Expandable with other more space system products with universal clamp 1

Colours



Art.No.

751+2505+000

EAN Code

4009729018910



751+2502+000

4009729018903



751+2605+000

4009729018958



751+2602+000

4009729018941



The ViewMasters from N are true all-round talents. In many work areas, these practical carousels ensure that even complex information is always in view an easy reach.



N ViewMaster-Fix

Display pocket holders with 2-piece plastic joints in three automatic locking positions

For twelve DIN A4 display pockets

Table mounting with universal clamp 1 for a table thickness of 18-74 mm

Range: 225-514 mm

Rotating around 360°

Display pockets can be fitted with indicator tabs to make information easier to find

Display pockets are not included

Colours



Art.No.	EAN Code
748+0005+000	4009729017869



748+0002+000	4009729017852
--------------	---------------



N ViewMaster-Ergo II

Display pocket holders with 2-part aluminium arm, adjustable plastic joints and spring balancing mechanism

The infinitely adjustment ensures a comfortable presentation of information

For twelve DIN A4 display pockets

Table mounting with universal clamp 1 for a table thickness of 18-74 mm

Range: 744 mm

Swivelling around 360°

Reliable drop guard as protection against unintentional release of screen

Display pockets are not included

Display pockets can be fitted with indicator tabs to make information easier to find

Colours



Art.No.	EAN Code
748+2002+000	4009729017838



748+2009+000	4009729042441
--------------	---------------





N ViewMaster carousel

Swivelling arm with ball bearing display pocket holder

For 30-40 DIN A4 display pockets

Table mounting with universal clamp 2 for a table thickness of 16-76 mm

Range: 331 mm

Swivelling around 360°

Display pockets can be fitted with indicator tabs to make information easier to find

Display pockets are not included



Colours



Art.No.	EAN Code
748+3005+000	4009729017944



748+3002+000	4009729017937
--------------	---------------



N ViewMaster desktop carousel

Desktop carousel with solid foot to accommodate display pockets

For 30-40 DIN A4 display pockets

Swivelling around 360°

Display pockets can be fitted with indicator tabs to make information easier to find

Display pockets are not included



Colours



Art.No.	EAN Code
748+7705+000	4009729018002



748+7702+000	4009729017999
--------------	---------------



N display pockets

Display pockets with swivel pins and plastic frame for DIN A4

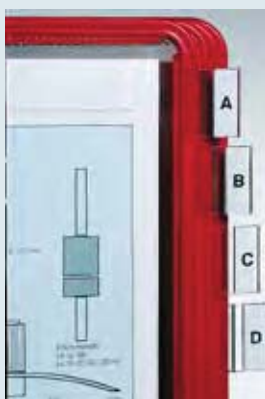
Open on one long side

Delivery: individually packaged

Colours



Art.No.	EAN Code
795+4811+000	4009729018279
795+4804+000	4009729018248
795+4801+000	4009729018224
795+4808+000	4009729018262
795+4806+000	4009729018255
795+4812+000	4009729018286
795+4802+000	4009729018231



N indicator tabs

Indicator tabs set

Indicator tabs with printed paper inserts from A to Z

Pluggable with transparent display

Size: 25 x 20 mm

Including: 12 pieces

Colours



Art.No.	EAN Code
795+4850+000	4009729018361



N offers a solution for every workspace situation. A big variety of mounting options for the more space range, even for the lights.



N universal clamp 1

Clamp for mounting on desktops

Clamping length: 18-74 mm

Suitable for products with universal clamp 1

Colours



Art.No.

795+0105+000

EAN Code

4009729019665



795+0102+000

4009729019658



N universal clamp 1 for glass tables

Clamp, especially for attachment to glass tables

Clamping length: 8-64 mm

Suitable for products with universal clamp 1

Colours



Art.No.

795+0155+000

EAN Code

4009729023402



795+0152+000

4009729023396



N universal clamp 2

Clamp for mounting on desktops

Clamping length: 16-76 mm

Suitable for products mounted by universal clamp 2

Colours



Art.No.

795+0205+000

EAN Code

4009729019740



795+0202+000

4009729019733



N base plate

Stand (6 kg)

Diameter: 260 mm

Suitable for products with universal clamp 1

Colours



Art.No.

795+7805+000

EAN Code

4009729019887



795+7802+000

4009729030448



Plastic screw-on

Plastic screw-on plate for fixing in the table

Fixing section: 51 mm

Suitable for products with universal clamp 1

Colours



Art.No.

795+1505+000

EAN Code

4009729019788



795+1502+000

4009729019771



Metal screw-on plate

Robust metal screw-on plate for mounting in the desktop

Fixing section: 51 mm

Comes with metal screw sleeve

Suitable for products with universal clamp 1

Colours



Art.No.

795+1605+002

EAN Code

4009729029985



795+1602+002

4009729032411



N drilling screw Fitting

Drilling screw attachment for mounting on the table

Drilling diameter: 14 mm

Suitable for products with universal clamp 1

Colours



Art.No.

796+0345+000

EAN Code

4009729030394



796+0342+000

4009729026441



N wall mount metall standard

Wall bracket for attachment to the wall, depending on the wall texture

Suitable for products with universal clamp 1 or 2

Colours



Art.No.

796+0842+000

EAN Code

4009729045145



796+0849+000

4009729044704





N plastic wall bracket

Wall mount in plastic for attachment to the wall, depending on the wall texture

Suitable for products with universal clamp 1

Colours



Art.No.

795+2002+000

EAN Code

4009729019795



795+2005+000

4009729019801



N SlatWall adapter

SlatWall adapter to mount various products on organisation rails

Carrying capacity 8 kg

Suitable for products with universal clamp 1 or 2 and LiftTEC monitor arms

Colours



Art.No.

796+0839+000

EAN Code

4009729044698



N TSS column adapter

Adapter for attaching various products to the TSS column

Suitable for products with universal clamp 1 or 2 and LiftTEC monitor arms

Colours



Art.No.

796+0829+000

EAN Code

4009729043851



Mounting options



System clamp

Desktop mount with system clamp to mount the product without the need to drill holes in the desktop.



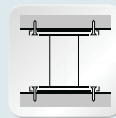
Ceiling mount

Ceiling mount lets you attach the product to the ceiling.



Drilling screw fitting

Drilling screw fitting to mount the product by drilling a hole in the desktop.



Ceiling/floor mount

Ceiling/floor mount lets you mount a column between ceiling and floor.



Cable port mount

Cable port mount ensures secure attachment on existing cable ports.



Wall mount

Wall mount lets you attach the product to the wall.



Pin adapter

Desktop mounting with pin adapter (16 mm in diameter) is used in various desk adapters by the office furniture industry.



Floor stand

Sturdy stand for positioning on the floor.



System rail mount

System rail mount for use in various system rails from the office furniture industry.



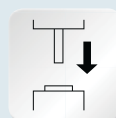
Universal clamp

Desktop mount with universal clamp 1 for desktops in a thickness of 18-74 mm.



Desk stand

Elegant stand for positioning on the desk.



Combinability

All items with universal clamp 1 can be fitted to the product.



Organisation wall mount

Organisation wall mount to attach the products to an organisational wall by using slot nuts.

Technical specifications



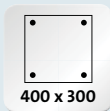
Standard monitor mount

The standard mount to use with any monitor compatible with 75 x 75 mm or 100 x 100 mm attachment standard.



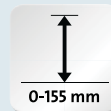
Column length

The value indicates the height of the column above the desk in mm.



Monitor mount

This mount is to attach monitors compatible with the attachment standard given in mm. (The maximum possible standard is indicated.)



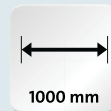
Height above desk

The value indicates the minimum and maximum distance between the product and desk surface.



Monitor weight

This value indicates the maximum load-bearing capacity of the supporting element or the maximum weight of a monitor in kg.



Width

The value indicates the width of the product in mm.



Carrying capacity

The weight shows the maximum weight in kg that the product is allowed to carry.



Range

The value indicates the product's range in mm.



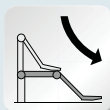
Dimensions of support platform

The value indicates the size of the platform in mm.



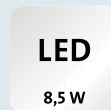
Swivelling range

The value indicates the product's possible swivelling range in °.



Adjustability

The patented spring balancing mechanism gives the product very easy, infinitely variable adjustment.



Power consumption

The value indicates the lamp used and its wattage.



Adjustability

The product can be engaged in 3 fixed positions.



Empresa Homologada por la
Dirección General del Patrimonio del Estado

mobiliar@mobiliar.es
www.mobiliar.es
902 365 064



CENTRAL

C/ La Fragua, 5 • Edificio Mobiliar • Pl. "Los Rosales"
Tel.: 916 656 230 • Fax: 916 641 506
28933 Móstoles (Madrid)

DELEGACIÓN

C/ Pere el Ceremonios, 3 • Nave 2 • Pl. "Masía de Espí"
Tel.: 961 534 064 • Fax: 961 537 790
46930 Quart de Poblet (Valencia)

FÁBRICA

Avda. de las Retamas, s/n • Pl. "Monte Boyal"
Tel.: 918 171 744 • Fax: 918 170 952
45950 Casarrubios del Monte (Toledo)